

# **PARTS CATALOG**

**iR1018/1018J/1019J/1022/  
1022A/1022F/1022i/1022iF/  
1022J/1023/1023iF/1023N**

**Canon**

**Mai 2007**



## **PREFACE**

This Parts Catalog contains listings of parts used

Diagrams are provided with the listings to aid the service technician in identifying clearly, the item to be ordered.

Whenever ordering parts, consult this Parts Catalog for all of the information pertaining to each item. Be sure to include, in the Parts Request, the full item description, the item part number, and the quantity.

***COPYRIGHT (C) 1999 CANON INC.***

Use of this manual should be strictly supervised to avoid disclosure of confidential information.



# Contents

## NUMERICAL INDEX

iR1018/1018J/1019J/1022/1022A/1022F/1022i/1022iF/1022J/1023/1023iF/ 1023N(Numerical Index) .....	1-1
---	-----

## iR1018/1018J/1019J/1022/1022A/1022F/1022i/1022iF/1022J/1023/ 1023iF/1023N(Parts Catalog)

A	ASSEMBLY LOCATION DIAGRAM .....	2-1
001	PACKAGE COMPONENTS .....	2-3
100	EXTERNAL COVERS, PANELS, ETC. ....	2-5
101	INTERNAL COMPONENTS 1 .....	2-8
102	INTERNAL COMPONENTS 2 .....	2-12
118	LEFT DOOR ASSEMBLY .....	2-16
130	CONTROL PANEL ASSEMBLY .....	2-18
160	COPYBOARD COVER ASSEMBLY .....	2-20
161	ADF ASSEMBLY .....	2-22
162	DOCUMENT TRAY ASSEMBLY .....	2-25
163	OPEN/CLOSE PANEL ASSEMBLY .....	2-27
164	PAPER FEED ASSEMBLY .....	2-30
250	MAIN DRIVE ASSEMBLY .....	2-33
251	REVERSE DRIVE ASSEMBLY .....	2-35
300	CASSETTE .....	2-37
301	CASSETTE (CHINA) .....	2-39
310	PAPER PICK-UP ASSEMBLY .....	2-41
315	MULTI PAPER PICK-UP TRAY ASS'Y .....	2-43
320	REGISTRATION ASSEMBLY .....	2-46
400	READER ASSEMBLY .....	2-48
460	LASER SCANNER UNIT .....	2-51
640	DEVELOPING UNIT .....	2-52
810	FIXING ASSEMBLY .....	2-55
930	PCB ASSEMBLY .....	2-58
950	IMAGE PROCESSOR PCB ASSEMBLY .....	2-60



# NUMERICAL INDEX

iR1018/1018J/1019J/1022/1022A/1022F/1022i/1022iF/1022J/1023/1023iF/1023J

PARTS NUMBER	FIGURE & KEY NO.	PARTS NUMBER	FIGURE & KEY NO.	PARTS NUMBER	FIGURE & KEY NO.
FA8-2446-000	100 - 27	FC6-7392-000	101 - 34	FC6-7487-000	810 - 20
FA9-3870-000	100 - 25	FC6-7396-000	310 - 19	FC6-7488-000	810 - 8
FB4-2007-000	320 - 20	FC6-7399-030	101 - 27	FC6-7489-000	810 - 9
FB4-9817-030	310 - 8	FC6-7401-000	320 - 1	FC6-7490-020	810 - 10
FB4-9820-000	310 - 2	FC6-7402-020	101 - 28	FC6-7491-000	810 - 11
FB6-1337-000	400 - 1	FC6-7403-000	101 - 29	FC6-7492-000	810 - 12
FC5-4424-000	164 - 2	FC6-7404-000	101 - 30	FC6-7493-000	810 - 13
FC5-4424-000	400 - 2	FC6-7406-000	320 - 2	FC6-7494-000	810 - 14
FC5-4425-000	163 - 1	FC6-7409-000	102 - 4	FC6-7495-000	810 - 15
FC5-4849-000	310 - 10	FC6-7410-000	315 - 10	FC6-7496-000	810 - 16
FC5-4849-000	810 - 25	FC6-7411-020	315 - 1	FC6-7497-000	810 - 21
FC5-4914-000	301 - 13	FC6-7414-000	320 - 3	FC6-7501-000	810 - 26
FC5-4914-000	315 - 30	FC6-7415-000	315 - 2	FC6-7502-000	810 - 27
FC6-4511-000	400 - 22	FC6-7418-000	315 - 15	FC6-7503-000	810 - 28
FC6-7309-000	102 - 44	FC6-7426-000	101 - 26	FC6-7505-000	810 - 22
FC6-7310-000	102 - 45	FC6-7427-000	315 - 4	FC6-7506-000	810 - 17
FC6-7311-000	102 - 46	FC6-7429-000	315 - 5	FC6-7507-000	810 - 18
FC6-7312-000	102 - 47	FC6-7430-000	315 - 6	FC6-7514-000	102 - 57
FC6-7314-000	102 - 49	FC6-7431-000	315 - 7	FC6-7517-000	251 - 1
FC6-7315-000	102 - 50	FC6-7432-000	315 - 8	FC6-7518-000	810 - 19
FC6-7335-000	100 - 2	FC6-7434-000	101 - 5	FC6-7519-000	101 - 9
FC6-7352-000	310 - 9	FC6-7442-040	320 - 15	FC6-7523-000	102 - 55
FC6-7353-000	310 - 3	FC6-7443-000	320 - 16	FC6-7524-000	101 - 56
FC6-7354-000	310 - 11	FC6-7444-000	320 - 17	FC6-7528-000	810 - 40
FC6-7357-000	310 - 12	FC6-7447-000	101 - 39	FC6-7529-000	810 - 41
FC6-7358-000	310 - 4	FC6-7449-000	101 - 41	FC6-7530-000	810 - 42
FC6-7360-000	101 - 32	FC6-7450-000	101 - 42	FC6-7533-000	101 - 24
FC6-7361-000	310 - 13	FC6-7452-000	118 - 1	FC6-7541-000	100 - 20
FC6-7362-000	101 - 33	FC6-7453-000	118 - 8	FC6-7542-000	100 - 21
FC6-7365-000	310 - 18	FC6-7454-000	118 - 2	FC6-7543-000	100 - 22
FC6-7366-000	310 - 5	FC6-7455-000	118 - 3	FC6-7544-000	100 - 23
FC6-7367-000	310 - 6	FC6-7457-000	118 - 9	FC6-7545-000	100 - 15
FC6-7368-000	310 - 7	FC6-7459-000	118 - 10	FC6-7549-000	250 - 1
FC6-7370-000	301 - 18	FC6-7460-000	118 - 11	FC6-7552-000	102 - 5
FC6-7372-000	300 - 4	FC6-7461-000	118 - 6	FC6-7553-000	102 - 6
FC6-7372-000	301 - 4	FC6-7464-000	101 - 44	FC6-7554-000	102 - 52
FC6-7374-000	300 - 9	FC6-7465-000	101 - 45	FC6-7557-000	102 - 8
FC6-7374-000	301 - 9	FC6-7466-000	118 - 7	FC6-7562-000	102 - 54
FC6-7376-000	300 - 6	FC6-7467-020	101 - 6	FC6-7563-000	100 - 19
FC6-7376-000	301 - 6	FC6-7470-000	118 - 18	FC6-7564-000	101 - 11
FC6-7377-000	300 - 1	FC6-7472-000	101 - 53	FC6-7568-000	102 - 9
FC6-7377-000	301 - 1	FC6-7473-000	118 - 17	FC6-7574-000	102 - 42
FC6-7378-000	301 - 16	FC6-7476-000	101 - 49	FC6-7575-000	102 - 10
FC6-7379-000	301 - 14	FC6-7477-000	101 - 52	FC6-7576-000	102 - 56
FC6-7380-000	300 - 7	FC6-7478-000	810 - 36	FC6-7576-000	400 - 27
FC6-7380-000	301 - 7	FC6-7480-000	810 - 1	FC6-7577-000	102 - 11
FC6-7382-000	300 - 2	FC6-7481-000	810 - 2	FC6-7580-000	102 - 39
FC6-7382-000	301 - 2	FC6-7482-000	810 - 3	FC6-7581-000	102 - 26
FC6-7385-000	300 - 12	FC6-7483-000	810 - 4	FC6-7582-000	101 - 50
FC6-7386-000	301 - 17	FC6-7484-000	810 - 5	FC6-7583-000	118 - 16
FC6-7388-000	300 - 12	FC6-7485-000	810 - 6	FC6-7585-000	400 - 29
FC6-7389-000	301 - 12	FC6-7486-000	810 - 7	FC6-7591-000	400 - 36

# NUMERICAL INDEX

iR1018/1018J/1019J/1022/1022A/1022F/1022i/1022iF/1022J/1023/1023iF/1023J/1023iF/1023J

PARTS NUMBER	FIGURE & KEY NO.	PARTS NUMBER	FIGURE & KEY NO.	PARTS NUMBER	FIGURE & KEY NO.
FC6-7592-000	400 - 23	FC6-8973-000	164 - 16	FC7-2931-000	102 - 70
FC6-7595-000	400 - 3	FC6-8974-000	161 - 9	FC7-2932-000	102 - 69
FC6-7598-000	400 - 4	FC6-8975-000	161 - 10	FC7-2933-000	102 - 31
FC6-7600-000	400 - 5	FC7-0534-000	400 - 17	FC7-2934-000	101 - 17
FC6-7601-000	400 - 33	FC7-0542-000	164 - 17	FC7-2935-000	102 - 74
FC6-7604-000	400 - 6	FC7-0545-000	163 - 9	FC7-2937-000	102 - 71
FC6-7606-000	400 - 7	FC7-0546-000	164 - 18	FC7-2939-000	102 - 48
FC6-7612-000	400 - 28	FC7-0547-000	102 - 27	FC7-2941-000	100 - 8
FC6-7618-000	400 - 9	FC7-0551-000	161 - 11	FC7-2942-000	100 - 4
FC6-7630-000	400 - 14	FC7-0552-000	161 - 18	FC7-2943-000	100 - 10
FC6-7642-000	400 - 16	FC7-0553-000	161 - 19	FC7-2944-000	100 - 14
FC6-7643-000	400 - 24	FC7-0555-000	161 - 12	FC7-2945-000	101 - 43
FC6-7722-000	161 - 7	FC7-0556-020	161 - 13	FC7-2946-000	101 - 38
FC6-7730-000	164 - 6	FC7-0557-000	162 - 14	FC7-2947-000	101 - 37
FC6-7731-000	164 - 7	FC7-0559-000	162 - 7	FC7-2948-000	102 - 72
FC6-7732-000	161 - 15	FC7-2792-000	164 - 4	FC7-2950-000	100 - 7
FC6-7733-000	161 - 16	FC7-2793-000	164 - 5	FC7-2951-000	100 - 9
FC6-7733-000	164 - 8	FC7-2804-000	161 - 26	FC7-2952-000	118 - 4
FC6-7734-000	161 - 17	FC7-2805-000	810 - 29	FC7-2953-000	118 - 5
FC6-7736-000	164 - 38	FC7-2806-000	163 - 29	FC7-2954-000	315 - 17
FC6-7737-000	164 - 43	FC7-2858-000	640 - 1	FC7-2955-000	315 - 27
FC6-7738-000	164 - 9	FC7-2859-000	640 - 2	FC7-2956-000	315 - 24
FC6-7742-000	163 - 16	FC7-2864-000	640 - 4	FC7-2957-000	315 - 22
FC6-7745-000	163 - 4	FC7-2865-000	640 - 5	FC7-2958-000	315 - 23
FC6-7746-000	163 - 5	FC7-2867-000	640 - 6	FC7-2960-000	315 - 16
FC6-7747-000	163 - 6	FC7-2868-000	640 - 7	FC7-2961-000	315 - 26
FC6-7748-000	163 - 12	FC7-2870-000	640 - 18	FC7-2962-000	100 - 5
FC6-7750-000	162 - 1	FC7-2872-000	640 - 8	FC7-2964-000	315 - 25
FC6-7754-000	162 - 4	FC7-2881-000	640 - 9	FC7-2965-000	100 - 17
FC6-7755-000	162 - 5	FC7-2882-000	640 - 10	FC7-2966-000	100 - 18
FC6-7756-000	162 - 6	FC7-2883-000	640 - 19	FC7-2967-000	100 - 16
FC6-7758-000	164 - 33	FC7-2884-000	640 - 11	FC7-2968-000	102 - 63
FC6-7759-000	164 - 34	FC7-2886-000	640 - 16	FC7-2969-000	102 - 65
FC6-7760-000	164 - 10	FC7-2891-000	640 - 12	FC7-2970-000	101 - 13
FC6-7761-000	163 - 7	FC7-2893-000	640 - 22	FC7-2971-000	101 - 16
FC6-7763-000	164 - 11	FC7-2894-000	640 - 23	FC7-2972-000	102 - 66
FC6-7764-000	164 - 12	FC7-2895-000	640 - 13	FC7-2973-000	101 - 15
FC6-7765-000	163 - 13	FC7-2896-000	640 - 14	FC7-2974-000	400 - 8
FC6-7766-000	163 - 14	FC7-2909-000	101 - 64	FC7-2975-000	400 - 10
FC6-7767-000	160 - 1	FC7-2911-000	101 - 7	FC7-2976-000	400 - 11
FC6-7767-000	161 - 3	FC7-2914-000	101 - 66	FC7-2977-000	400 - 13
FC6-7769-000	164 - 39	FC7-2915-000	102 - 32	FC7-2978-000	400 - 15
FC6-7770-000	164 - 44	FC7-2916-000	101 - 65	FC7-2979-000	100 - 11
FC6-7772-000	164 - 13	FC7-2917-000	102 - 62	FC7-2980-000	100 - 12
FC6-7776-000	163 - 8	FC7-2919-000	102 - 38	FC7-2981-000	100 - 12
FC6-7784-000	161 - 4	FC7-2920-000	101 - 14	FC7-2982-000	400 - 10
FC6-7787-000	163 - 17	FC7-2921-000	101 - 4	FC7-2989-000	300 - 5
FC6-7788-000	164 - 14	FC7-2923-000	101 - 59	FC7-2989-000	301 - 5
FC6-7789-000	163 - 18	FC7-2926-000	102 - 33	FC7-2990-000	300 - 10
FC6-7790-000	164 - 15	FC7-2927-000	102 - 64	FC7-2990-000	301 - 10
FC6-8971-000	163 - 15	FC7-2929-000	102 - 2	FC7-3399-000	161 - 1
FC6-8973-000	162 - 8	FC7-2930-000	102 - 67	FC7-3400-000	161 - 2



# NUMERICAL INDEX

iR1018/1018J/1019J/1022/1022A/1022F/1022i/1022iF/1022J/1023/1023iF/10

PARTS NUMBER	FIGURE & KEY NO.	PARTS NUMBER	FIGURE & KEY NO.	PARTS NUMBER	FIGURE & KEY NO.
FC7-3407-000	163 - 2	FK2-3255-000	001 - 3	FM2-4057-000	102 - 51
FC7-3409-000	162 - 2	FK2-3258-000	001 - 3	FM2-4780-000	102 - 82
FC7-3411-000	161 - 5	FK2-3259-000	001 - 3	FM2-4897-000	950 - 2
FC7-3416-000	100 - 3	FK2-5122-000	950 - 6	FM2-4898-000	950 - 2
FC7-3417-000	100 - 13	FL2-3887-000	101 - 35	FM2-4918-000	102 - 53
FC7-3842-000	100 - 1	FL2-3887-000	310 - 14	FM2-4921-000	930 - 3
FC7-3844-000	100 - 26	FL2-3889-000	300 - 3	FM2-4922-000	102 - 19
FC7-3860-000	101 - 76	FL2-3891-000	301 - 3	FM2-4926-000	102 - 20
FC7-5047-000	101 - 40	FL2-3892-000	320 - 4	FM2-4928-000	101 - 19
FC7-5819-000	320 - 6	FL2-3897-000	315 - 9	FM2-4930-000	102 - 21
FC7-5820-000	320 - 7	FL2-3898-020	315 - 11	FM2-4931-000	310 - 28
FC7-5822-000	320 - 11	FL2-3901-000	320 - 10	FM2-4935-000	102 - 22
FC7-5823-000	320 - 12	FL2-3908-000	810 - 30	FM2-4937-000	102 - 23
FC7-5824-000	320 - 5	FL2-3910-000	101 - 48	FM2-4938-000	102 - 24
FC7-5825-000	320 - 8	FL2-3929-000	400 - 35	FM2-4939-000	400 - 21
FC7-5826-000	320 - 9	FL2-3941-000	400 - 12	FM2-4943-000	810 - 43
FC7-5827-000	320 - 14	FL2-3986-020	163 - 11	FM2-4944-000	101 - 54
FC7-5828-000	320 - 21	FL2-3987-000	162 - 9	FM2-4945-000	102 - 28
FC7-5831-000	301 - 15	FL2-3989-000	163 - 3	FM2-4947-000	164 - 1
FC7-7142-000	101 - 2	FL2-5369-000	640 - 15	FM2-4948-000	161 - 23
FC7-7143-000	101 - 58	FL2-5371-000	640 - 17	FM2-4950-000	161 - 6
FC7-7144-000	101 - 55	FL2-5373-000	640 - 21	FM2-5044-000	950 - 1
FC7-7145-000	101 - 75	FL2-5374-000	640 - 24	FM2-5045-000	950 - 1
FC7-7147-000	118 - 22	FL2-5375-000	400 - 20	FM2-5046-000	950 - 2
FC7-7152-020	320 - 13	FL2-5376-000	400 - 20	FM2-5047-000	102 - 51
FH2-7192-000	001 - 2	FL2-5377-000	400 - 20	FM2-5048-000	102 - 29
FH2-7200-000	001 - 1	FL2-5378-000	400 - 19	FM2-5050-000	102 - 30
FH7-7611-030	101 - 51	FL2-5379-000	400 - 19	FM2-5051-000	102 - 30
FK2-0949-000	950 - IC140	FL2-5380-000	400 - 19	FM2-5056-000	950 - 3
FK2-1373-000	930 - 2	FL2-5383-000	400 - 19	FM2-5271-000	460 -
FK2-1377-000	400 - 37	FL2-5384-000	400 - 19	FM2-5274-000	315 - 19
FK2-1378-000	101 - 18	FL2-5385-000	400 - 19	FM2-5280-000	810 - 24
FK2-1383-000	400 - 34	FL2-5386-000	100 - 10	FM2-5283-000	251 - 3
FK2-1385-000	102 - 12	FL2-5390-000	315 - 18	FM2-5284-000	251 - 4
FK2-1386-000	102 - 43	FL2-5610-000	162 - 10	FM2-5296-000	810 - 24
FK2-1392-000	161 - 8	FL2-5611-000	163 - 10	FM2-5328-000	101 - 60
FK2-1393-000	164 - 36	FL2-5612-000	161 - 20	FM2-5329-000	101 - 61
FK2-1394-000	102 - 13	FL2-5613-000	162 - 3	FM2-5330-000	101 - 62
FK2-1395-000	102 - 14	FL2-5615-000	102 - 79	FM2-5331-000	101 - 63
FK2-1396-000	102 - 15	FL2-5920-000	100 - 6	FM2-5332-000	101 - 73
FK2-1398-000	400 - 31	FL2-5921-000	100 - 6	FM2-6080-000	950 - 1
FK2-1399-000	400 - 18	FL2-5922-000	100 - 6	FM2-6081-000	950 - 1
FK2-1400-000	102 - 16	FL2-5923-000	100 - 6	FM2-6082-000	950 - 3
FK2-1401-000	101 - 57	FL2-5924-000	100 - 6	FM2-8207-000	164 - 48
FK2-1408-000	251 - 2	FL2-5925-000	100 - 6	FM2-8208-000	164 - 35
FK2-1410-000	101 - 8	FL2-5926-000	100 - 6	FM2-8214-000	640 -
FK2-1412-000	310 - 1	FL2-5927-000	100 - 6	FM2-8236-000	160 -
FK2-1825-000	400 - 30	FL2-5928-000	100 - 6	FM2-8363-000	400 - 32
FK2-3208-000	930 - 2	FL2-5929-000	100 - 6	FM2-8364-000	930 - 1
FK2-3252-000	001 - 3	FL2-5930-000	100 - 6	FM2-8365-000	930 - 1
FK2-3253-000	001 - 3	FL2-5931-000	100 - 6	FM2-8366-000	930 - 1
FK2-3254-000	001 - 3	FM2-3947-000	102 - 18	FM2-8367-000	930 - 1

# NUMERICAL INDEX

iR1018/1018J/1019J/1022/1022A/1022F/1022i/1022iF/1022J/1023/1023iF/1023J/1023iF/1023J

PARTS NUMBER	FIGURE & KEY NO.	PARTS NUMBER	FIGURE & KEY NO.	PARTS NUMBER	FIGURE & KEY NO.
FM2-8369-000	101 - 10	FU6-2413-000	301 - 19	FU7-0009-000	310 - 21
FM2-8370-000	101 - 67	FU6-2414-000	320 - 19	FU7-0010-000	310 - 22
FM2-8372-000	102 - 25	FU6-2415-000	101 - 31	FU7-0011-000	310 - 23
FM2-8373-000	101 - 68	FU6-2416-000	320 - 22	FU7-0012-000	310 - 24
FM2-8846-000	163 -	FU6-2423-000	315 - 3	FU7-0013-000	310 - 25
FM2-8848-000	164 - 3	FU6-2424-000	315 - 12	FU7-0014-000	310 - 26
FM2-9000-000	130 -	FU6-2425-000	315 - 13	FU7-0015-000	310 - 27
FM2-9001-000	130 -	FU6-2432-000	101 - 46	FU7-0025-000	315 - 20
FM2-9002-000	130 -	FU6-2433-000	101 - 47	FU7-0026-000	315 - 21
FM2-9003-000	130 -	FU6-2434-000	118 - 12	FU7-0027-000	101 - 22
FM2-9005-000	130 -	FU6-2435-000	118 - 13	FU7-0029-000	101 - 12
FM2-9006-000	130 -	FU6-2436-000	118 - 14	FU7-0031-000	251 - 8
FM2-9007-000	130 -	FU6-2441-000	102 - 75	FU7-0032-000	118 - 15
FM2-9008-000	130 -	FU6-2446-000	118 - 21	FU7-0034-000	810 - 34
FM2-9009-000	130 -	FU6-2462-000	400 - 39	FU7-0035-000	101 - 23
FM2-9010-000	130 -	FU6-2463-000	400 - 38	FU7-0036-000	251 - 5
FM2-9011-000	130 -	FU6-2471-000	810 - 32	FU7-0039-000	251 - 6
FM2-9012-000	130 -	FU6-2472-000	810 - 33	FU7-0040-000	251 - 7
FM2-9013-000	130 -	FU6-2473-000	810 - 31	FU7-0045-000	250 - 2
FM2-9014-000	130 -	FU6-2474-000	810 - 23	FU7-0046-000	250 - 3
FM2-9015-000	130 -	FU6-2506-000	164 - 21	FU7-0047-000	250 - 4
FM2-9016-000	130 -	FU6-2507-000	162 - 11	FU7-0048-000	250 - 5
FM2-9017-000	130 -	FU6-2508-000	162 - 12	FU7-0050-000	250 - 7
FM2-9018-000	130 -	FU6-2509-000	161 - 14	FU7-0051-000	250 - 8
FM2-9019-000	130 -	FU6-2510-000	164 - 37	FU7-0052-000	250 - 9
FM2-9020-000	130 -	FU6-2818-000	102 - 41	FU7-0053-000	250 - 10
FM2-9039-000	160 - 2	FU6-2819-000	102 - 34	FU7-0054-000	310 - 29
FM2-9040-000	101 - 69	FU6-2820-000	102 - 40	FU7-0055-000	250 - 6
FM2-9041-000	101 - 70	FU6-2821-000	102 - 35	FU7-0104-000	164 - 22
FM2-9042-000	101 - 71	FU6-2822-000	102 - 36	FU7-0105-000	164 - 23
FM2-9043-000	101 - 72	FU6-2823-000	102 - 37	FU7-0106-000	164 - 40
FM2-9044-000	118 -	FU6-2824-000	102 - 73	FU7-0107-000	164 - 41
FM2-9045-000	810 -	FU6-2825-000	102 - 3	FU7-0108-000	164 - 24
FM2-9046-000	810 -	FU6-2828-000	640 - 26	FU7-0110-000	164 - 45
FM2-9362-000	640 - 39	FU6-2831-000	102 - 60	FU7-0111-000	164 - 46
FS6-1090-000	640 - 25	FU6-2832-000	101 - 77	FU7-0112-000	164 - 25
FS7-8335-000	102 - 1	FU6-2833-000	640 - 3	FU7-0113-000	164 - 26
FU5-1626-000	163 - 28	FU6-8073-000	100 - 24	FU7-0114-000	164 - 19
FU5-1626-000	164 - 20	FU6-8077-000	118 - 19	FU7-0115-000	164 - 27
FU5-1774-000	102 - 7	FU6-8078-000	118 - 20	FU7-0116-000	164 - 28
FU5-1775-000	102 - 61	FU6-8079-000	101 - 74	FU7-0117-000	164 - 29
FU5-1776-000	102 - 68	FU6-8080-000	315 - 28	FU7-0118-000	163 - 21
FU5-4953-000	400 - 25	FU6-8081-000	315 - 29	FU7-0119-000	163 - 22
FU5-9340-000	950 - 4	FU6-8082-000	315 - 29	FU7-0120-000	163 - 23
FU6-2406-000	310 - 15	FU6-8083-000	315 - 29	FU7-0121-000	163 - 19
FU6-2407-000	310 - 16	FU6-8118-000	161 - 24	FU7-0122-000	163 - 25
FU6-2408-020	300 - 11	FU6-8119-000	161 - 24	FU7-0123-000	163 - 26
FU6-2408-020	301 - 11	FU6-8120-000	161 - 24	FU7-0124-000	163 - 27
FU6-2410-000	300 - 8	FU6-8121-000	161 - 24	FU7-0125-000	163 - 24
FU6-2410-000	301 - 8	FU6-8122-000	161 - 25	FU7-0126-000	162 - 13
FU6-2411-000	310 - 20	FU6-8123-000	161 - 25	FU7-0127-000	164 - 30
FU6-2412-000	101 - 36	FU6-8124-000	162 - 15	FU7-0128-000	164 - 47

# NUMERICAL INDEX

iR1018/1018J/1019J/1022/1022A/1022F/1022i/1022iF/1022J/1023/1023iF/1023J

PARTS NUMBER	FIGURE & KEY NO.	PARTS NUMBER	FIGURE & KEY NO.	PARTS NUMBER	FIGURE & KEY NO.
FU7-0476-000	640 - 27	WT2-5056-000	251 - 11		
FU7-0477-000	640 - 28	WT2-5619-000	101 - 3		
FU7-0478-000	640 - 29	WT2-5619-000	102 - 81		
FU7-0479-000	640 - 30	WT2-5619-000	161 - 22		
FU7-0480-000	640 - 31	WT2-5621-000	102 - 59		
FU7-0481-000	640 - 32	WT2-5677-000	102 - 76		
FU7-0483-000	640 - 33	WT2-5760-000	101 - 20		
FU7-0484-000	640 - 34	WT2-5812-000	101 - 21		
FU7-0485-000	640 - 35	XA9-0679-000	400 - 41		
FU7-0495-000	102 - 17	XA9-0679-000	400 - 42		
FU7-0496-000	640 - 36	XA9-0702-000	810 - 38		
FU7-0497-000	640 - 38	XA9-1164-000	101 - 25		
FU7-0498-000	640 - 37	XA9-1567-000	102 - 58		
HH2-2824-000	001 - 1	XA9-1567-000	251 - 9		
HK1-0175-000	001 - 1	XA9-1567-000	400 - 43		
HK1-0511-000	950 - IC1	XA9-1567-000	930 - 4		
HK1-0544-000	001 - 1	XB1-2300-409	400 - 502		
HK1-0547-000	001 - 1	XB4-5301-005	162 - 501		
HK1-0551-000	001 - 1	XB4-5301-005	163 - 501		
MS4-2703-000	640 - 20	XB4-5301-005	164 - 502		
NPN	001 -	XB4-5401-007	118 - 501		
NPN	100 -	XB4-5401-205	161 - 502		
NPN	101 -	XB4-7300-807	640 - 502		
NPN	102 -	XB4-7400-806	300 - 501		
NPN	161 -	XB4-7400-806	301 - 501		
NPN	162 -	XB4-7401-007	160 - 501		
NPN	164 -	XB4-7401-009	101 - 502		
NPN	250 -	XB4-7401-009	310 - 501		
NPN	251 -	XB4-7401-009	320 - 501		
NPN	300 -	XB6-7300-405	640 - 501		
NPN	301 -	XB6-7300-605	102 - 501		
NPN	310 -	XB6-7300-605	161 - 501		
NPN	315 -	XB6-7300-605	164 - 501		
NPN	320 -	XB6-7300-607	101 - 501		
NPN	400 -	XB6-7300-607	400 - 501		
NPN	930 -	XD1-1106-226	164 - 503		
NPN	950 -	XD1-1107-235	161 - 503		
RB2-2973-000	810 - 35	XD1-1108-215	163 - 502		
VT2-5177-005	950 - 5	XD2-1100-322	640 - 503		
WE8-6218-000	400 - 46	XD9-0134-000	251 - 10		
WE8-6383-000	102 - 77	XD9-0134-000	810 - 39		
WE8-6388-000	102 - 78	XD9-0136-000	163 - 20		
WG8-5696-000	102 - 80	XD9-0136-000	164 - 42		
WG8-5696-000	161 - 21	XD9-0136-000	400 - 44		
WG8-5696-000	164 - 31	XF2-4607-230	400 - 45		
WG8-5776-000	310 - 17	XF2-4665-530	400 - 26		
WG8-5776-000	315 - 14	XF9-0760-000	164 - 49		
WG8-5776-000	320 - 18				
WG8-5776-000	400 - 40				
WG8-5776-000	810 - 37				
WK1-5134-000	950 - BAT1				
WT2-5056-000	101 - 1				



# **iR1018/1018J/1019J/1022/1022A/ 1022F/1022i/1022iF/1022J/1023/ 1023iF/1023N(Parts Catalog)**

## **iR1018**

<b>230V AU</b>	<b>F18-9243-000</b>	<b>THX</b>
<b>230V EUR</b>	<b>F18-9297-000</b>	<b>THW</b>
<b>230V GB</b>	<b>F18-9297-000</b>	<b>TTQ</b>

## **iR1018J**

<b>230V EUR</b>	<b>F18-9248-000</b>	<b>THT</b>
<b>230V EUR</b>	<b>F18-9296-000</b>	<b>THS</b>
<b>230V GB</b>	<b>F18-9296-000</b>	<b>TTP</b>

## **iR1019J**

<b>120V UL</b>	<b>F18-9234-000</b>	<b>THR</b>
----------------	---------------------	------------

## **iR1022**

<b>120V TW</b>	<b>F18-9201-000</b>	<b>TJC</b>
<b>230V EUR</b>	<b>F18-9245-000</b>	<b>THZ</b>
<b>230V CN</b>	<b>F18-9261-000</b>	<b>TJB</b>
<b>230V KR</b>	<b>F18-9271-000</b>	<b>TJD</b>

## **iR1022A**

<b>230V EUR</b>	<b>F18-9291-000</b>	<b>TJG</b>
<b>230V GB</b>	<b>F18-9291-000</b>	<b>TTR</b>

## iR1022F

120V TW	F18-9202-000	TJP
230V EUR	F18-9246-000	TJK
230V AU	F18-9246-000	TJL
230V KR	F18-9272-000	TJN
230V EUR	F18-9292-000	TJJ
230V GB	F18-9292-000	TTS

## iR1022i

230V EUR	F18-9293-000	TJQ
230V GB	F18-9293-000	TTT

## iR1022iF

230V EUR	F18-9247-000	TJS
230V AU	F18-9247-000	TJT
230V CN	F18-9262-000	TJU
230V EUR	F18-9294-000	TJW
230V GB	F18-9294-000	TTU

## iR1022J

230V CN	F18-9260-000	THV
---------	--------------	-----

## iR1023

120V UL	F18-9231-000	THY
---------	--------------	-----

## iR1023iF

120V UL	F18-9233-000	TJR
---------	--------------	-----

iR1023N

120V UL

F18-9232-000 TJE



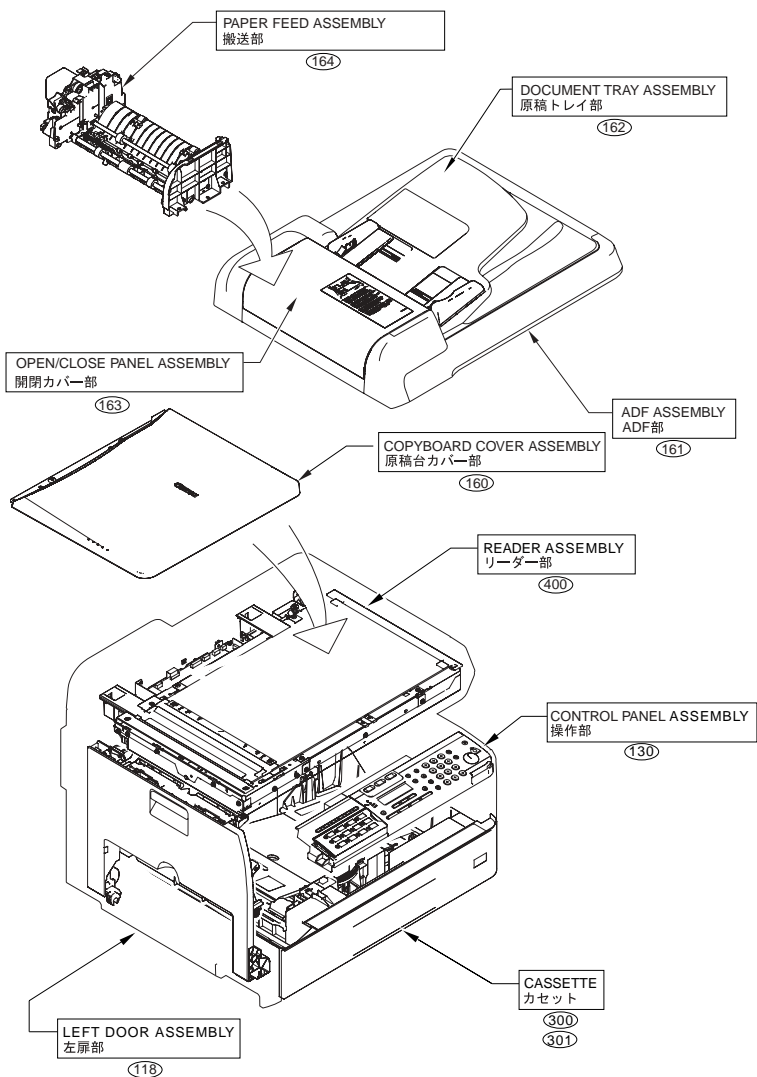


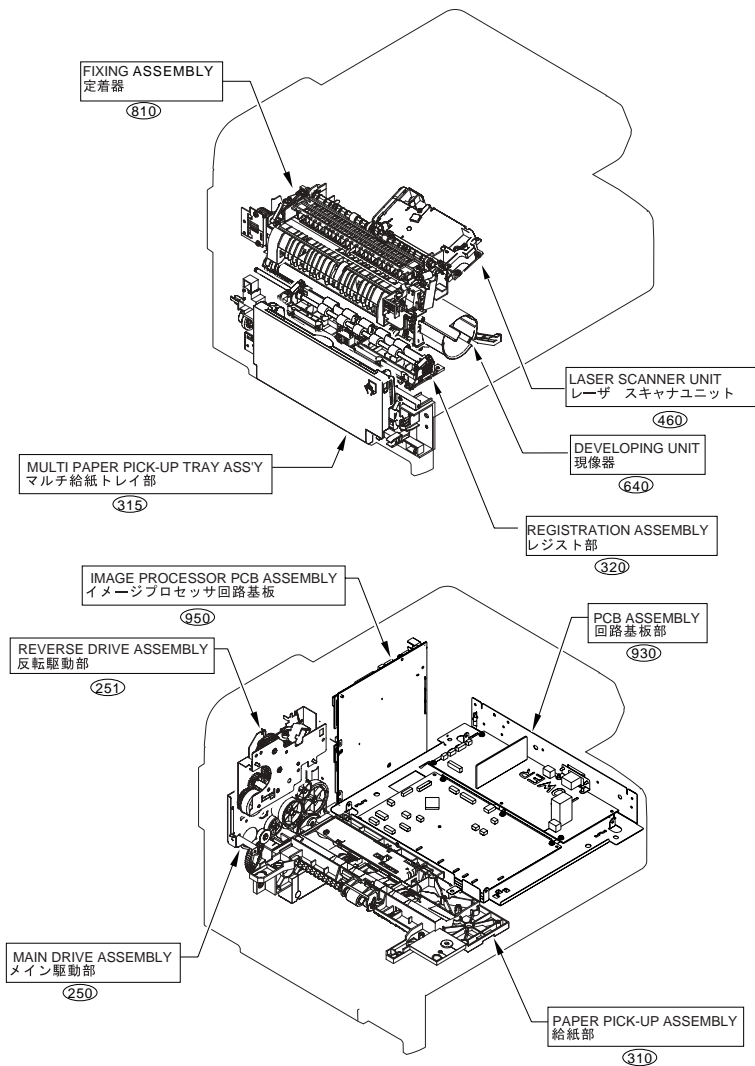
# Contents

A	ASSEMBLY LOCATION DIAGRAM .....	2-1
001	PACKAGE COMPONENTS .....	2-3
100	EXTERNAL COVERS, PANELS, ETC. ....	2-5
101	INTERNAL COMPONENTS 1 .....	2-8
102	INTERNAL COMPONENTS 2 .....	2-12
118	LEFT DOOR ASSEMBLY .....	2-16
130	CONTROL PANEL ASSEMBLY .....	2-18
160	COPYBOARD COVER ASSEMBLY .....	2-20
161	ADF ASSEMBLY .....	2-22
162	DOCUMENT TRAY ASSEMBLY .....	2-25
163	OPEN/CLOSE PANEL ASSEMBLY .....	2-27
164	PAPER FEED ASSEMBLY .....	2-30
250	MAIN DRIVE ASSEMBLY .....	2-33
251	REVERSE DRIVE ASSEMBLY .....	2-35
300	CASSETTE .....	2-37
301	CASSETTE (CHINA) .....	2-39
310	PAPER PICK-UP ASSEMBLY .....	2-41
315	MULTI PAPER PICK-UP TRAY ASS'Y .....	2-43
320	REGISTRATION ASSEMBLY .....	2-46
400	READER ASSEMBLY .....	2-48
460	LASER SCANNER UNIT .....	2-51
640	DEVELOPING UNIT .....	2-52
810	FIXING ASSEMBLY .....	2-55
930	PCB ASSEMBLY .....	2-58
950	IMAGE PROCESSOR PCB ASSEMBLY .....	2-60



# FIGURE A ASSEMBLY LOCATION DIAGRAM





# FIGURE 001 PACKAGE COMPONENTS

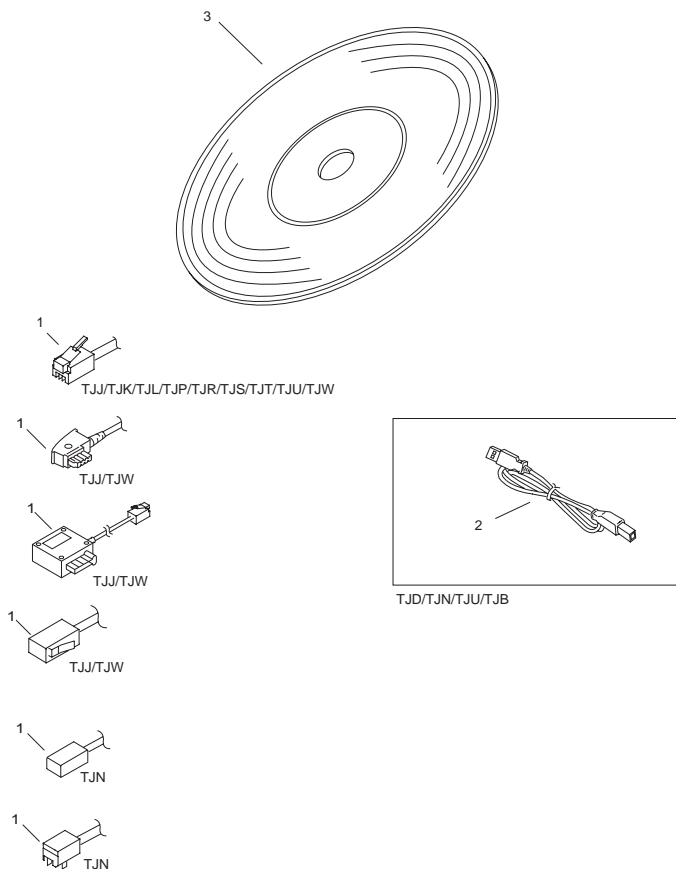


FIGURE & KEY NO.	PARTS NUMBER	R A N K	Q'TY	DESCRIPTION	SERIAL NUMBER/REMARKS	S V C
Fig.001	NPN		RF	PACKAGE COMPONENTS		
1	HH2-2824-000		1	CORD, MODULAR	TJJ/TJK/TJL/TJP/TJR/ TJS/TJT/TJU/TJW	
1	HK1-0544-000		1	CORD, MODULAR	TJJ/TJW	
1	HK1-0551-000		1	CORD, MODULAR	TTS/TTU	
1	HK1-0547-000		1	CORD, MODULAR	TJJ/TJW	
1	FH2-7200-000		1	CORD, MODULAR	TJN	
1	HK1-0175-000		1	CORD, MODULAR	TJN	
2	FH2-7192-000		1	CABLE, USB	TJD/TJN/TJB/TJU	
3	FK2-3252-000		1	CD-ROM, USER SOFTWARE	English (UL)	
3	FK2-3253-000		1	CD-ROM, USER SOFTWARE	English (AU)	
3	FK2-3255-000		1	CD-ROM, USER SOFTWARE	Simplified Chinese/ Traditional Chinese/ Korean (CN/TW/KR)	
3	FK2-3254-000		1	CD-ROM, USER SOFTWARE	French/Italian/German/ Spanish (EUR/GB)	
3	FK2-3258-000		1	CD-ROM, USER SOFTWARE	English (EUR/GB)	
3	FK2-3259-000		1	CD-ROM, USER SOFTWARE	French/Italian/German/ Spanish (EUR/GB)	

# FIGURE 100 EXTERNAL COVERS, PANELS, ETC.

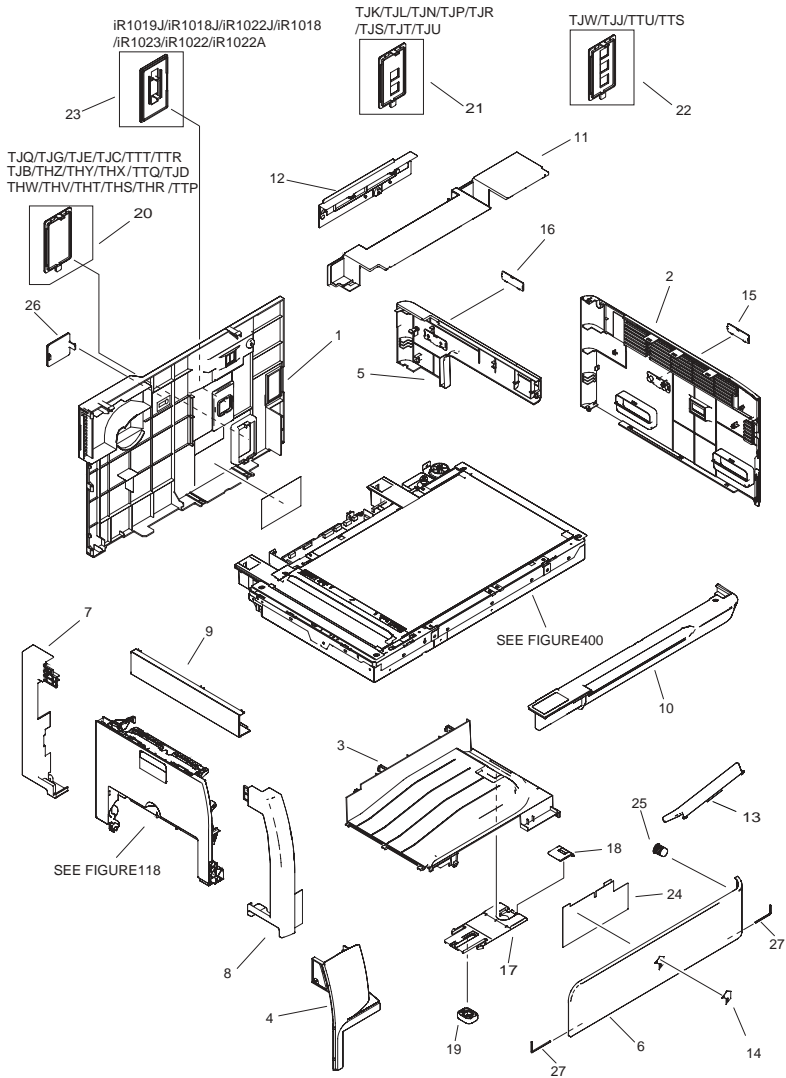


FIGURE & KEY NO.	PARTS NUMBER	R A N K	Q'TY	DESCRIPTION	SERIAL NUMBER/ REMARKS	S V C
Fig.100	NPN		RF	EXTERNAL COVERS, PANELS, ETC.		
1	FC7-3842-000		1	COVER, REAR		
2	FC6-7335-000		1	COVER, RIGHT		
3	FC7-3416-000		1	TRAY, DELIVERY		
4	FC7-2942-000		1	COVER, DELIVERY, FRONT		
5	FC7-2962-000		1	COVER, READER, RIGHT		
6	FL2-5920-000		1	COVER, FRONT	iR1018	
6	FL2-5921-000		1	COVER, FRONT	iR1018J	
6	FL2-5922-000		1	COVER, FRONT	iR1019J	
6	FL2-5923-000		1	COVER, FRONT	iR1022	
6	FL2-5924-000		1	COVER, FRONT	iR1022A	
6	FL2-5925-000		1	COVER, FRONT	iR1022F	
6	FL2-5926-000		1	COVER, FRONT	iR1022i	
6	FL2-5927-000		1	COVER, FRONT	iR1022iF	
6	FL2-5928-000		1	COVER, FRONT	iR1022J	
6	FL2-5929-000		1	COVER, FRONT	iR1023	
6	FL2-5930-000		1	COVER, FRONT	iR1023N	
6	FL2-5931-000		1	COVER, FRONT	iR1023iF	
7	FC7-2950-000		1	COVER, LEFT, REAR		
8	FC7-2941-000		1	COVER, LEFT, FRONT		
9	FC7-2951-000		1	COVER, LEFT, UPPER		
10	FL2-5386-000		1	COVER, READER, FRONT	iR1023N/iR1022A/ iR1022F/iR1022i/ iR1023iF/iR1022iF	
10	FC7-2943-000		1	COVER, READER, FRONT	iR1019J/iR1018J/iR1022J/ iR1018/iR1023/iR1022	
11	FC7-2979-000		1	COVER, READER, REAR		
12	FC7-2980-000		1	COVER, READER REAR, SMALL	iR1023N/iR1022A/ iR1022F/iR1022i/iR1022iF	
12	FC7-2981-000		1	COVER, READER REAR, SMALL	iR1019J/iR1018J/iR1018/ iR1022J/iR1023/iR1022	
13	FC7-3417-000		1	TRAY, PAPER DELIVERY AUXILIARY		
14	FC7-2944-000		1	EMBLEM		
15	FC6-7545-000		1	COVER, BLANKING		



FIGURE & KEY NO.	PARTS NUMBER	R A N K	Q'TY	DESCRIPTION	SERIAL NUMBER/ REMARKS	S V C
16	FC7-2967-000		1	COVER, BLANKING		
17	FC7-2965-000		1	STOPPER, PAPER DELIVERY TRAY		
18	FC7-2966-000		1	STOPPER, PAPER DELIVERY TRAY		
19	FC6-7563-000		1	STOPPER, PAPER DELIVERY		
20	FC6-7541-000		1	COVER, MJ BLANKING, 1	TJQ/TJG/TJE/TJD/TJC/ TJB/THZ/THY/THX/THW/ THV/THT/THS/THR/TTP/ TTQ/TTR/TTT	
21	FC6-7542-000		1	COVER, MJ BLANKING, 2	TJK/TJL/TJN/TJP/TJR/ TJS/TJT/TJU	
22	FC6-7543-000		1	COVER, MJ BLANKING, 3	TJW/TJJ	
23	FC6-7544-000		1	COVER, LAN BLANKING	iR1019J/iR1018J/iR1022J/ iR1018/iR1023/iR1022/ iR1022A	
24	FU6-8073-000		1	SHEET, BOTTLE OPERATOR		
25	FA9-3870-000		1	CATCH, MAGNET		
26	FC7-3844-000		1	COVER, BLIND		
27	FA8-2446-000		1	PIN, HINGE		

# FIGURE 101

## INTERNAL COMPONENTS 1

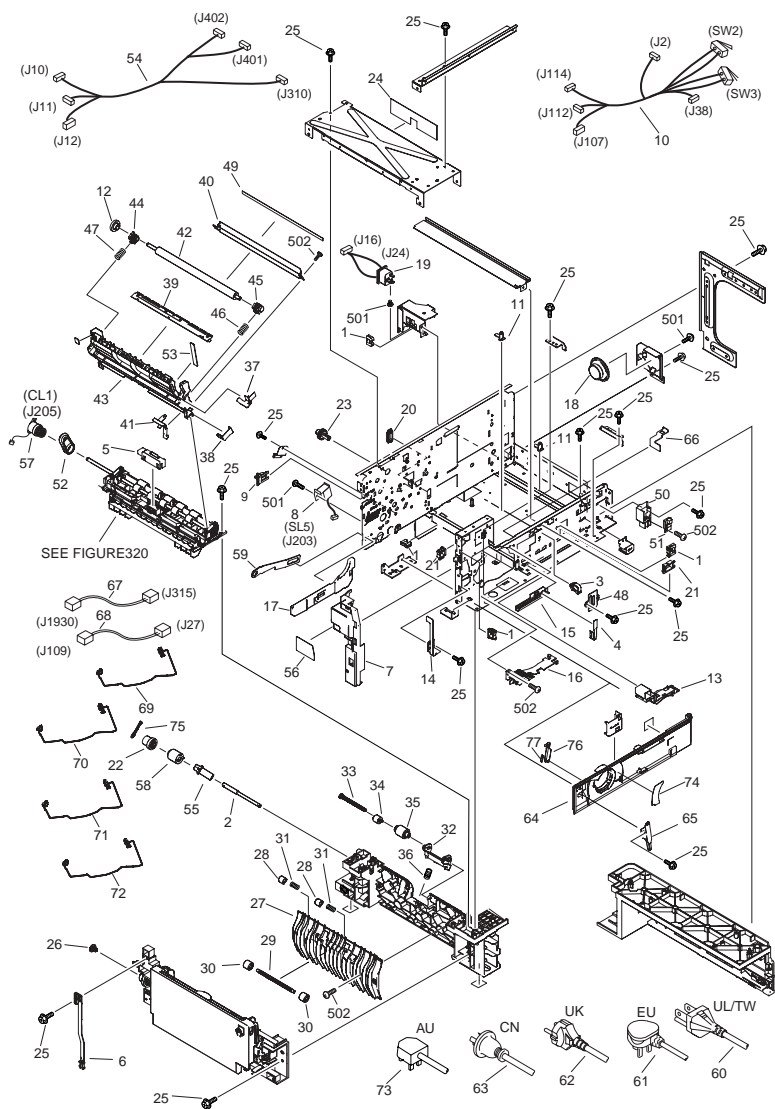


FIGURE & KEY NO.	PARTS NUMBER	R A N K	Q'TY	DESCRIPTION	SERIAL NUMBER/ REMARKS	S V C
Fig.101	NPN		RF	INTERNAL COMPONENTS 1		
1	WT2-5056-000		5	CLIP, CORD		
2	FC7-7142-000		1	SHAFT, JOINT		
3	WT2-5619-000		9	CLIP CLAMP, WIRE		
4	FC7-2921-000		1	SPRING, PLATE		
5	FC6-7434-000		1	COVER, REGISTRATION SENSOR		
6	FC6-7467-020		1	STOPPER, DOOR, LEFT		
7	FC7-2911-000		1	COVER, BLANKING		
8	FK2-1410-000		1	SOLENOID	SL5	
9	FC6-7519-000		1	SUPPORT, ROLLER, FIXING		
10	FM2-8369-000		1	CABLE, INTERLOCK SWITCH	SW2,SW1	
11	FC6-7564-000		3	SPACER, PCB		
12	FU7-0029-000		1	GEAR, 17T		
13	FC7-2970-000		1	GUIDE, HIGH VOLTAGE, UPPER		
14	FC7-2920-000		1	LEVER, INTERLOCK		
15	FC7-2973-000		1	GUIDE, FIXING AC		
16	FC7-2971-000		1	GUIDE, HIGH VOLTAGE, LOWER		
17	FC7-2934-000		1	GUIDE, CARTRIDGE, REAR		
18	FK2-1378-000		1	SPEAKER	iR1022F/1023iF/1022iF	
19	FM2-4928-000		1	CABLE, AC-INLET		
20	WT2-5760-000		1	BUSHING, SQUARE		
21	WT2-5812-000		4	CLIP, CABLE		
22	FU7-0027-000		1	GEAR, 27T		
23	FU7-0035-000		1	GEAR, 19T		
24	FC6-7533-000		1	SHEET, STATIC CHARGE		
25	XA9-1164-000		AR	SCREW, RS, M3X6.5		
26	FC6-7426-000		1	CAP		
27	FC6-7399-030		1	GUIDE, ROLLER, FEED		
28	FC6-7402-020		2	BUSHING, FEED ROLLER		
29	FC6-7403-000		1	SHAFT, FEED ROLLER		
30	FC6-7404-000		2	ROLLER, FEED		
31	FU6-2415-000		2	SPRING, COMPRESSION		

FIGURE & KEY NO.	PARTS NUMBER	R A N K	Q'TY	DESCRIPTION	SERIAL NUMBER/ REMARKS	S V C
32	FC6-7360-000		1	PLATE, SEPARATION PRESSURE		
33	FC6-7362-000		1	SHAFT, REGISTRATION ROLLER		
34	FC6-7392-000		1	LIMITTER, TORQUE		
35	FL2-3887-000		1	ROLLER, FEED		
36	FU6-2412-000		1	SPRING, COMPRESSION		
37	FC7-2947-000		1	PLATE, CONTACT		
38	FC7-2946-000		1	PLATE, HIGH VOLTAGE CONTACT		
39	FC6-7447-000		1	ELIMINATOR, STATIC CHARGE		
40	FC7-5047-000		1	GUIDE, PRE-TRANSFER		
41	FC6-7449-000		1	PLATE, GROUNDING		
42	FC6-7450-000		1	ROLLER, TRANSFER CHARGE		
43	FC7-2945-000		1	FRAME, TRANSFER		
44	FC6-7464-000		1	BUSHING, TRANSFER, REAR		
45	FC6-7465-000		1	BUSHING, TRANSFER, FRONT		
46	FU6-2432-000		1	SPRING, COMPRESSION		
47	FU6-2433-000		1	SPRING, COMPRESSION		
48	FL2-3910-000		1	PLATE, SUPPORT		
49	FC6-7476-000		1	SHEET, STATIC CHARGE		
50	FC6-7582-000		1	HOLDER, SENSOR		
51	FH7-7611-030		1	HUMIDITY SENSOR UNIT		
52	FC6-7477-000		1	SUPPORT, REGISTRATION SHAFT		
53	FC6-7472-000		1	LABEL		
54	FM2-4944-000		1	CABLE,POWER SUPPLY		
55	FC7-7144-000		1	JOINT		
56	FC6-7524-000		1	LABEL, HIGH TMP. CAUTION R		
57	FK2-1401-000		1	CLUTCH, ELECTROMAGNETIC		
58	FC7-7143-000		1	LIMITER, TORQUE		
59	FC7-2923-000		1	RINK, ARM		
60	FM2-5328-000		1	CORD, POWER, 120V	UL/TW	
61	FM2-5329-000		1	CORD, POWER, 230V	EU	
62	FM2-5330-000		1	CORD, POWER, 230V	UK	
63	FM2-5331-000		1	CORD, POWER, 230V	CN	

FIGURE & KEY NO.	PARTS NUMBER	R A N K	Q'TY	DESCRIPTION	SERIAL NUMBER/ REMARKS	S V C
64	FC7-2909-000		1	COVER, INTERNAL	AU	
65	FC7-2916-000		1	TAPE, COVER HOLD		
66	FC7-2914-000		1	PLATE, CONTACT		
67	FM2-8370-000		1	CABLE,SOFT-ID		
68	FM2-8373-000		1	CABLE,TONER FULL		
69	FM2-9040-000		1	CABLE, HIGH VOLTAGE., FIXING		
70	FM2-9041-000		1	CABLE, HIGH VOTAGE, ELIM		
71	FM2-9042-000		1	CABLE, HIGH VOLTAGE., TRANSFER		
72	FM2-9043-000		1	CABLE, HIGH VOLTAGE., CORONA		
73	FM2-5332-000		1	CORD, POWER, 230V		
74	FU6-8079-000		1	LABEL,BOTTLE OPERATION		
75	FC7-7145-000		1	PIN, SNAP		
76	FC7-3860-000		1	SHUTTER, INTERNAL		
77	FU6-2832-000		1	SPRING,SHUTTER		
501	XB6-7300-607		AR	SCREW, TP, M3X6 (S)		
502	XB4-7401-009		AR	SCREW,TAPPING,PAN HEAD,M4X10		

# FIGURE 102 INTERNAL COMPONENTS 2

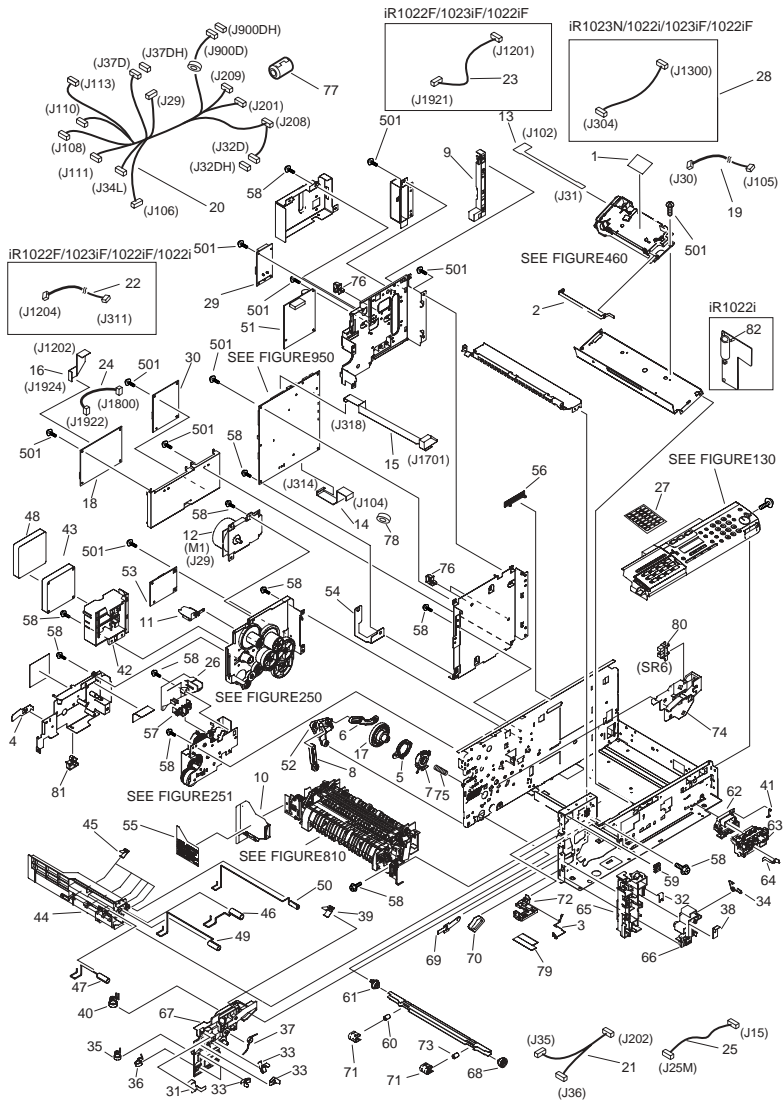


FIGURE & KEY NO.	PARTS NUMBER	RANK	Q'TY	DESCRIPTION	SERIAL NUMBER/REMARKS	SVC
Fig.102	NPN		RF	INTERNAL COMPONENTS 2		
1	FS7-8335-000		1	LABEL, LASER CAUTION		
2	FC7-2929-000		1	SHUTTER, LASER		
3	FU6-2825-000		1	SPRING, TORSION		
4	FC6-7409-000		1	PLATE, GROUNDING		
5	FC6-7552-000		1	CAM, COUPLING		
6	FC6-7553-000		1	ARM, COUPLING		
7	FU5-1774-000		1	BUSHING, COUPLING F		
8	FC6-7557-000		1	JOINT, ARM, DOOR		
9	FC6-7568-000		1	GUIDE, HARNESS		
10	FC6-7575-000		1	DUCT, FAN		
11	FC6-7577-000		1	SPACER, PCB		
12	FK2-1385-000		1	MOTOR, MAIN		
13	FK2-1394-000		1	CABLE, FLAT		
14	FK2-1395-000		1	CABLE, FLAT		
15	FK2-1396-000		1	CABLE, FLAT		
16	FK2-1400-000		1	CABLE, FLAT	FAX TYPE	
17	FU7-0495-000		1	GEAR, 91T		
18	FM2-3947-000		1	NCU BOARD ASS'Y	FAX TYPE	
19	FM2-4922-000		1	CABLE, SCSNNER		
20	FM2-4926-000		1	CABLE, RELAY PCB		
21	FM2-4930-000		1	CABLE, MULTI-REGI		
22	FM2-4935-000		1	CABLE, VBAT	iR1022F/iR1023iF/ iR1022iF/iR1022i	
23	FM2-4937-000		1	CABLE, NCU-PSU	iR1022F/iR1023iF/ iR1022iF	
24	FM2-4938-000		1	CABLE, MJ	iR1022F/iR1023iF/ iR1022iF	
25	FM2-8372-000		1	CABLE, FIXING HEATER		
26	FC6-7581-000		1	DUCT		
27	FC7-0547-000		1	LABEL, ADDRESS	iR1022iF/1023iF/1022i/ 1022F	

FIGURE & KEY NO.	PARTS NUMBER	R A N K	Q'TY	DESCRIPTION	SERIAL NUMBER/ REMARKS	S V C
28	FM2-4945-000		1	CABLE, IP-LAN	iR1023N/iR1022i/ iR1023iF/ iR1022iFJ304WH,1300W H	
29	FM2-5048-000		1	NETWORK I/F BORD PCB ASSEMBRY		
30	FM2-5050-000		1	MODULAR JACK PCB ASSEMBLY	TJK/TJL/TJN/TJP/TJR/ TJS/TJT/TJU	
30	FM2-5051-000		1	MODULAR JACK PCB ASSEMBLY	TJJ/TJW	
31	FC7-2933-000		1	SPRING UNIT, CONTACT		
32	FC7-2915-000		1	CATCH, MAGNET		
33	FC7-2926-000		4	SPRING, PLATE		
34	FU6-2819-000		1	SPRING UNIT, CONTACT		
35	FU6-2821-000		1	SPRING UNIT, CONTACT		
36	FU6-2822-000		1	SPRING, PLATE		
37	FU6-2823-000		1	SPRING UNIT, CONTACT		
38	FC7-2919-000		1	SUPPORT,DOOR,FRONT		
39	FC6-7580-000		1	SPRING, PLATE		
40	FU6-2820-000		1	SPRING, PLATE		
41	FU6-2818-000		1	SPRING, PLATE		
42	FC6-7574-000		1	HOLDER, FAN		
43	FK2-1386-000		1	FAN	FM1	
44	FC6-7309-000		1	GUIDE, CONTACT SPRING		
45	FC6-7310-000		5	SPRING, LEAF		
46	FC6-7311-000		1	SPRING, COMPRESSION		
47	FC6-7312-000		1	SPRING, COMPRESSION		
48	FC7-2939-000		1	FILTER, AIR		
49	FC6-7314-000		1	SPRING, COMPRESSION		
50	FC6-7315-000		1	SPRING, COMPRESSION		
51	FM2-5047-000		1	MODEM PCB ASSEMBLY	iR1022F	
51	FM2-4057-000		1	MODEM PCB ASSEMBLY	iR1022iF/iR1023iF	
52	FC6-7554-000		1	ARM, RINK		
53	FM2-4918-000		1	RELAY PCB ASSEMBLY		
54	FC6-7562-000		1	PLATE, GROUNDING		
55	FC6-7523-000		1	LABEL, HIGH TEMPERATURE CAUTIO		



FIGURE & KEY NO.	PARTS NUMBER	R A N K	Q'TY	DESCRIPTION	SERIAL NUMBER/ REMARKS	S V C
56	FC6-7576-000		1	BUSHING, FFC		
57	FC6-7514-000		1	STOPPER, GEAR, DELIVERY		
58	XA9-1567-000		AR	SCREW, RS, M3X8.5		
59	WT2-5621-000		1	CLAMP, EDGE		
60	FU6-2831-000		1	SPRING, COMPRESSION		
61	FU5-1775-000		1	BUSHING		
62	FC7-2917-000		1	GUIDE, CONTACT SPRING		
63	FC7-2968-000		1	GUIDE, HIGH VOLTAGE, RIGHT		
64	FC7-2927-000		1	SPRING, PLATE		
65	FC7-2969-000		1	GUIDE, HIGH VOLTAGE, LEFT		
66	FC7-2972-000		1	GUIDE, POSITIONING		
67	FC7-2930-000		1	GUIDE, CRG, FRONT		
68	FU5-1776-000		1	BUSHING		
69	FC7-2932-000		1	PLATE, GROUNDING		
70	FC7-2931-000		1	BLOCK,DRUM CARTRIDGE		
71	FC7-2937-000		2	CAM, DEVELOPING PRESSURE		
72	FC7-2948-000		1	GUIDE, CONTACT SPRING		
73	FU6-2824-000		1	SPRING, COMPRESSION		
74	FC7-2935-000		1	MOUNT, SENSOR		
75	FU6-2441-000		1	SPRING, COMPRESSION		
76	WT2-5677-000		2	GUIDE,CABLE		
77	WE8-6383-000		1	CORE,RING		
78	WE8-6388-000		1	CORE,RING		
79	FL2-5615-000		1	SHEET,CASSETTE		
80	WG8-5696-000		1	PHOTO INTERRUPTER, TLP1243	SR6	
81	WT2-5619-000		1	SADDLE, WIRE		
82	FM2-4780-000		1	CAPACITOR PCB ASSEMBLY	iR1022i	
501	XB6-7300-605		AR	SCREW, TP, M3X6 (S)		

# FIGURE 118 LEFT DOOR ASSEMBLY

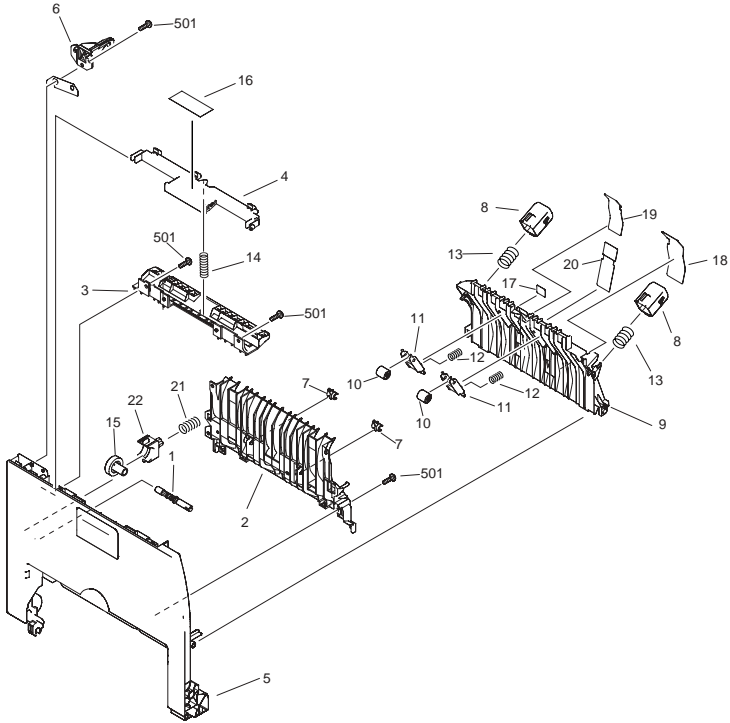


FIGURE & KEY NO.	PARTS NUMBER	R A N K	Q'TY	DESCRIPTION	SERIAL NUMBER/ REMARKS	S V C
Fig.118	FM2-9044-000		1	LEFT DOOR ASSEMBLY		
1	FC6-7452-000		1	SHAFT, ROLLER		
2	FC6-7454-000		1	GUIDE, FEED OUTER		
3	FC6-7455-000		1	GUIDE, FIXING, REAR		
4	FC7-2952-000		1	LEVER, COVER OPEN/CLOSE		
5	FC7-2953-000		1	DOOR, LEFT		
6	FC6-7461-000		1	LEVER, FIXING PRESSURE RELEASE		
7	FC6-7466-000		2	BUSHING, FEED		
8	FC6-7453-000		2	BLOCK, PRESSURE		
9	FC6-7457-000		1	GUIDE, DUPLEXING FEED		
10	FC6-7459-000		2	COLLAR		
11	FC6-7460-000		2	HOLDER, COLLAR		
12	FU6-2434-000		2	SPRING, COMPRESSION		
13	FU6-2435-000		2	SPRING, COMPRESSION		
14	FU6-2436-000		1	SPRING, COMPRESSION		
15	FU7-0032-000		1	GEAR, 19T		
16	FC6-7583-000		1	SHEET, PROTECTION		
17	FC6-7473-000		1	LABEL, HIGH TMP. CAUTION R		
18	FC6-7470-000		1	LABEL, DUPLEX JAM		
19	FU6-8077-000		1	LABEL, DRUM REPLACE, 1		
20	FU6-8078-000		1	LABEL, DRUM REPLACE, 2		
21	FU6-2446-000		1	SPRING, COMPRESSION		
22	FC7-7147-000		1	BUSHING		
501	XB4-5401-007		AR	SCREW, M4X10		

FIGURE 130  
CONTROL PANEL ASSEMBLY

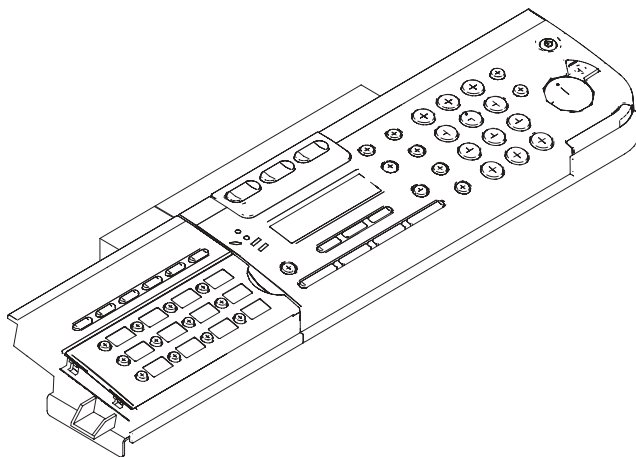


FIGURE & KEY NO.	PARTS NUMBER	R A N K	Q'TY	DESCRIPTION	SERIAL NUMBER/ REMARKS	S V C
Fig.130	FM2-9018-000		1	CONTROL PANEL ASSEMBLY	THR/THT	
Fig.130	FM2-9019-000		1	CONTROL PANEL ASSEMBLY	THS/TTP	
Fig.130	FM2-9020-000		1	CONTROL PANEL ASSEMBLY	THV	
Fig.130	FM2-9011-000		1	CONTROL PANEL ASSEMBLY	THW/TTQ	
Fig.130	FM2-9012-000		1	CONTROL PANEL ASSEMBLY	THZ/THX	
Fig.130	FM2-9010-000		1	CONTROL PANEL ASSEMBLY	THY	
Fig.130	FM2-9013-000		1	CONTROL PANEL ASSEMBLY	TJB	
Fig.130	FM2-9015-000		1	CONTROL PANEL ASSEMBLY	TJC	
Fig.130	FM2-9014-000		1	CONTROL PANEL ASSEMBLY	TJD	
Fig.130	FM2-9016-000		1	CONTROL PANEL ASSEMBLY	TJE	
Fig.130	FM2-9017-000		1	CONTROL PANEL ASSEMBLY	TJG/TTR	
Fig.130	FM2-9006-000		1	CONTROL PANEL ASSEMBLY	TJJ/TTS	
Fig.130	FM2-9007-000		1	CONTROL PANEL ASSEMBLY	TJK/TJL	
Fig.130	FM2-9008-000		1	CONTROL PANEL ASSEMBLY	TJN	
Fig.130	FM2-9009-000		1	CONTROL PANEL ASSEMBLY	TJP	
Fig.130	FM2-9005-000		1	CONTROL PANEL ASSEMBLY	TJQ/TTT	
Fig.130	FM2-9000-000		1	CONTROL PANEL ASSEMBLY	TJR	
Fig.130	FM2-9002-000		1	CONTROL PANEL ASSEMBLY	TJS/TJT	
Fig.130	FM2-9003-000		1	CONTROL PANEL ASSEMBLY	TJU	
Fig.130	FM2-9001-000		1	CONTROL PANEL ASSEMBLY	TJW/TTU	

# FIGURE 160 COPYBOARD COVER ASSEMBLY

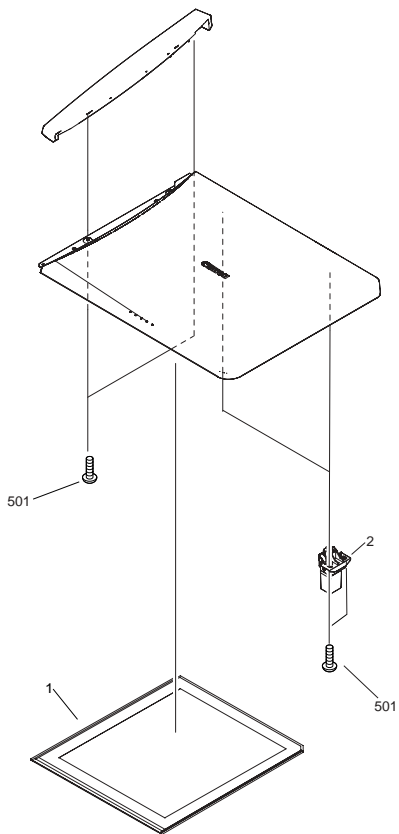


FIGURE & KEY NO.	PARTS NUMBER	RANK	Q'TY	DESCRIPTION	SERIAL NUMBER/REMARKS	SVC
Fig.160	FM2-8236-000		1	COPYBOARD COVER ASSEMBLY	iR1019J/iR1018J/iR1022J/ iR1018/iR1023/iR1022	
1	FC6-7767-000		1	WHITE SHEET UNIT		
2	FM2-9039-000		2	HINGE UNIT		
501	XB4-7401-007		6	SCREW,TAPPING,PAN HEAD,M4X10		

# FIGURE 161 ADF ASSEMBLY

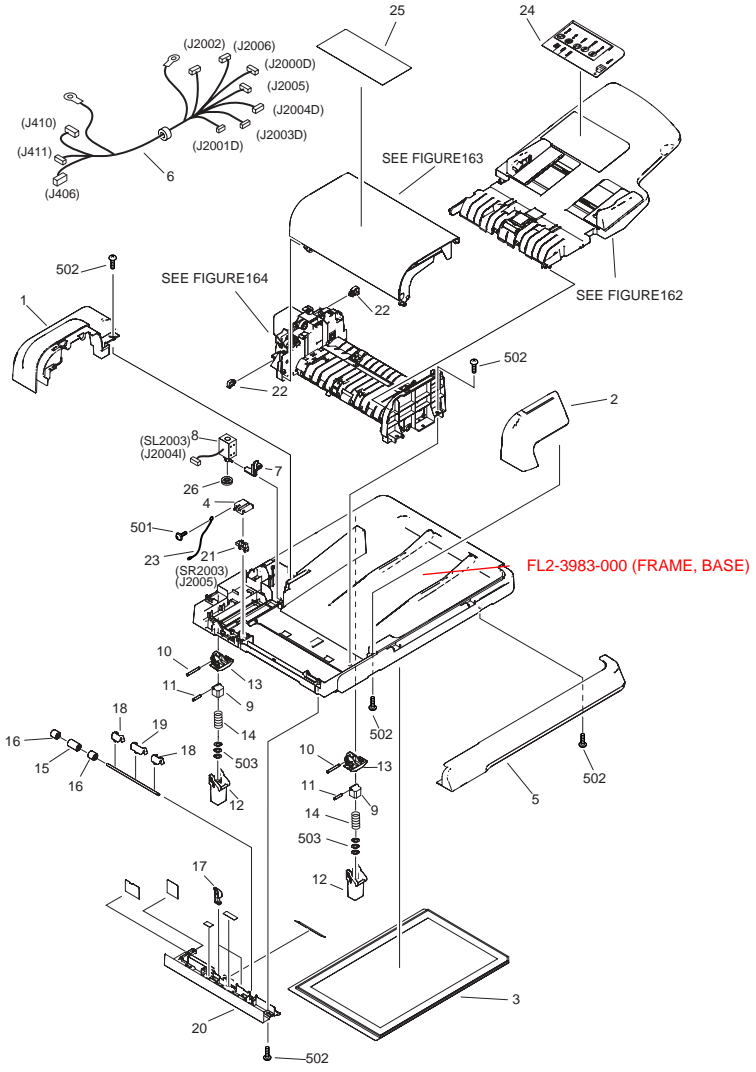




FIGURE & KEY NO.	PARTS NUMBER	R A N K	Q'TY	DESCRIPTION	SERIAL NUMBER/ REMARKS	S V C
Fig.161	NPN		RF	ADF ASSEMBLY	iR1023N/iR1022A/ iR1022F/iR1022i/ iR1023iF/iR1022iF	
1	FC7-3399-000		1	COVER, REAR		
2	FC7-3400-000		1	COVER, FRONT, S		
3	FC6-7767-000		1	WHITE SHEET UNIT		
4	FC6-7784-000		1	COVER, SENSOR		
5	FC7-3411-000		1	COVER, FRONT, L		
6	FM2-4950-000		1	CABLE, ADF I/F		
7	FC6-7722-000		1	ARM, SOLENOID		
8	FK2-1392-000		1	SOLENOID		
9	FC6-8974-000		2	SLIDER		
10	FC6-8975-000		2	SHAFT, HINGE		
11	FC7-0551-000		2	SHAFT, HINGE		
12	FC7-0555-000		2	ARM, HINGE		
13	FC7-0556-020		2	BASE, HINGE		
14	FU6-2509-000		2	SPRING, COMPRESSION		
15	FC6-7732-000		1	COLLAR		
16	FC6-7733-000		2	COLLAR		
17	FC6-7734-000		2	LEVER, PRESSURE		
18	FC7-0552-000		2	GUIDE, REGISTRATION, SMALL		
19	FC7-0553-000		1	GUIDE, REGISTRATION, LARGE		
20	FL2-5612-000		1	GUIDE, FEED, LOWER		
21	WG8-5696-000		1	PHOTO INTERRUPTER, TLP1243		
22	WT2-5619-000		2	CLIP CLAMP, WIRE		
23	FM2-4948-000		1	CABLE, GROUNDING		
24	FU6-8118-000		1	LABEL, DOCUMENT SIZE	A/INCH SIZE	
24	FU6-8119-000		1	LABEL, DOCUMENT SIZE	A SIZE	
24	FU6-8120-000		1	LABEL, DOCUMENT SIZE	A/B/INCH SIZE	
24	FU6-8121-000		1	LABEL, BLACK LINE, CLEANING	A/INCH SIZE	
25	FU6-8122-000		1	LABEL, BLACK LINE, CLEANING	A SIZE	
25	FU6-8123-000		1	LABEL, BLACK LINE, CLEANING	A/B/INCH SIZE	
26	FC7-2804-000		1	SPACER		

FIGURE & KEY NO.	PARTS NUMBER	R A N K	Q'TY	DESCRIPTION	SERIAL NUMBER/ REMARKS	S V C
501	XB6-7300-605		2	SCREW, TP, M3X6 (S)		
502	XB4-5401-205		16	SCREW,P,M4X12		
503	XD1-1107-235		6	SHIM		

# FIGURE 162 DOCUMENT TRAY ASSEMBLY

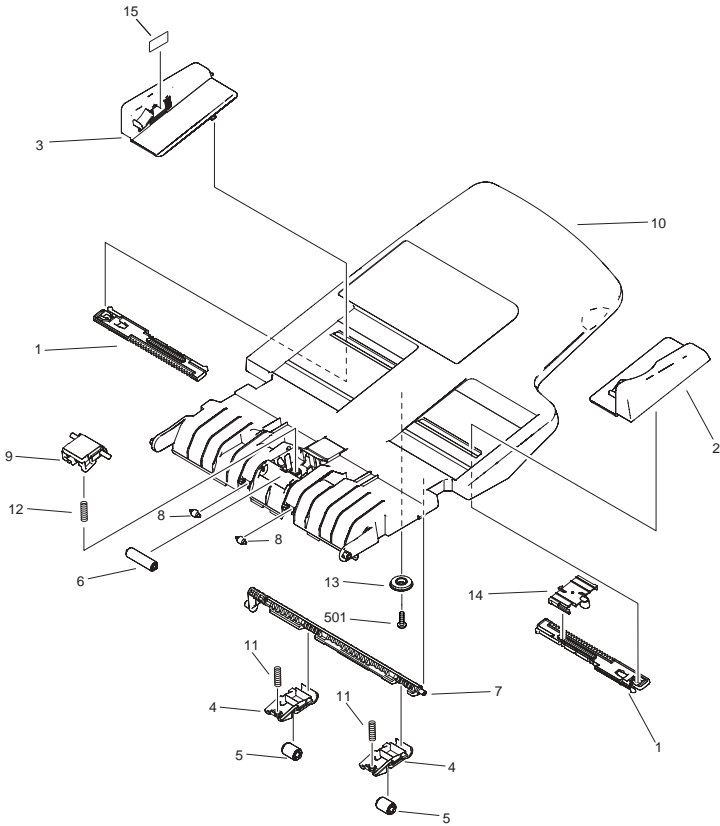


FIGURE & KEY NO.	PARTS NUMBER	R A N K	Q'TY	DESCRIPTION	SERIAL NUMBER/ REMARKS	S V C
Fig.162	NPN		RF	DOCUMENT TRAY ASSEMBLY	iR1023N/iR1022A/ iR1022F/iR1022i/ iR1023iF/iR1022iF	
1	FC6-7750-000		2	RACK, TRAY		
2	FC7-3409-000		1	GUIDE, SIDE, FRONT		
3	FL2-5613-000		1	GUIDE UNIT		
4	FC6-7754-000		2	HOLDER, COLLAR		
5	FC6-7755-000		2	COLLAR		
6	FC6-7756-000		1	COLLAR		
7	FC7-0559-000		1	SHAFT		
8	FC6-8973-000		2	ROLLER, PLATEN		
9	FL2-3987-000		1	PAD, SEPARATION		
10	FL2-5610-000		1	TRAY, DOCUMENT		
11	FU6-2507-000		2	SPRING, COMPRESSION		
12	FU6-2508-000		1	SPRING, COMPRESSION		
13	FU7-0126-000		1	GEAR, 16T		
14	FC7-0557-000		1	HOLDER, SIDE GUIDE		
15	FU6-8124-000		1	LABEL, DUCUMENT STACK LIMIT		
501	XB4-5301-005		1	SCREW,P,M3X10		

# FIGURE 163 OPEN/CLOSE PANEL ASSEMBLY

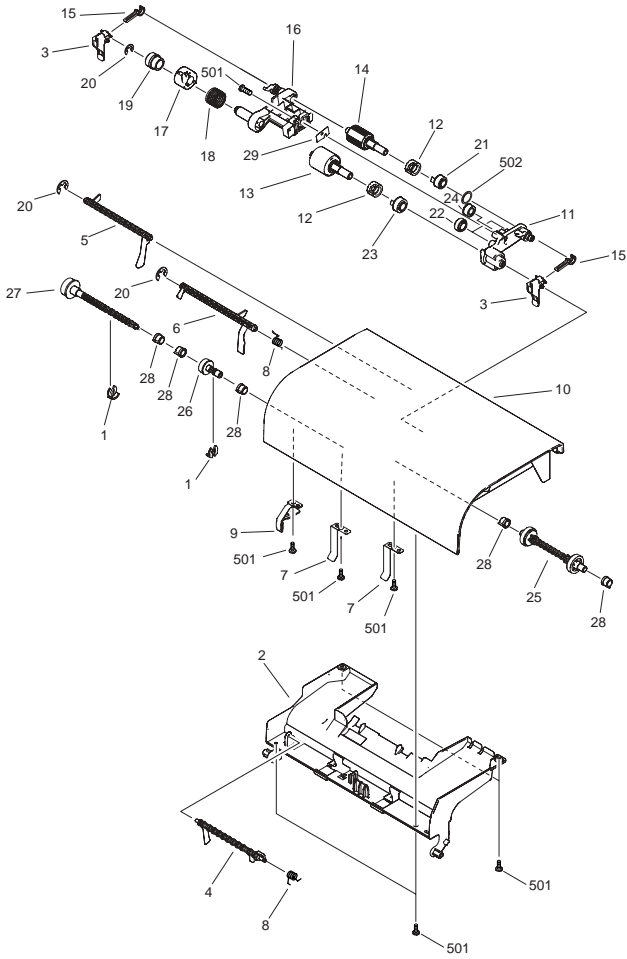


FIGURE & KEY NO.	PARTS NUMBER	R A N K	Q'TY	DESCRIPTION	SERIAL NUMBER/ REMARKS	S V C
Fig.163	FM2-8846-000		1	OPEN/CLOSE PANEL ASSEMBLY	iR1023N/iR1022A/iR022F/ iR1022i/iR1023iF/ iR1022iF	
1	FC5-4425-000		2	CLIP		
2	FC7-3407-000		1	GUIDE, OPEN/CLOSE		
3	FL2-3989-000		2	SHUTTER, FRONT		
4	FC6-7745-000		1	LEVER, SENSOR		
5	FC6-7746-000		1	LEVER, SENSOR		
6	FC6-7747-000		1	LEVER, SENSOR		
7	FC6-7761-000		2	SPRING, PLATE		
8	FC6-7776-000		2	SPRING, TORSION		
9	FC7-0545-000		1	BAND, OPEN/CLOSE STOPPER		
10	FL2-5611-000		1	FRAME, OPEN/CLOSE		
11	FL2-3986-020		1	ARM, PICK-UP		
12	FC6-7748-000		2	JOINT		
13	FC6-7765-000		1	ROLLER, SEPARATION		
14	FC6-7766-000		1	ROLLER, PICK-UP		
15	FC6-8971-000		2	LEVER, STOP		
16	FC6-7742-000		1	ARM, PICK-UP, RIGHT		
17	FC6-7787-000		1	JOINT, PICK ARM		
18	FC6-7789-000		1	SPRING, TORSION		
19	FU7-0121-000		1	GEAR, 26T		
20	XD9-0136-000		3	RING, E		
21	FU7-0118-000		1	GEAR, 22T		
22	FU7-0119-000		2	GEAR, 23T		
23	FU7-0120-000		1	GEAR, 26T		
24	FU7-0125-000		1	GEAR, 17T		
25	FU7-0122-000		1	GEAR, 35T/35T		
26	FU7-0123-000		1	GEAR, 26T		
27	FU7-0124-000		1	GEAR, 20T		
28	FU5-1626-000		5	BUSHING		
29	FC7-2806-000		1	SHEET, ARM, PICKUP		
501	XB4-5301-005		8	SCREW,P,M3X10		

FIGURE & KEY NO.	PARTS NUMBER	R A N K	Q'TY	DESCRIPTION	SERIAL NUMBER/ REMARKS	S V C
502	XD1-1108-215		1	SHIM		

# FIGURE 164 PAPER FEED ASSEMBLY

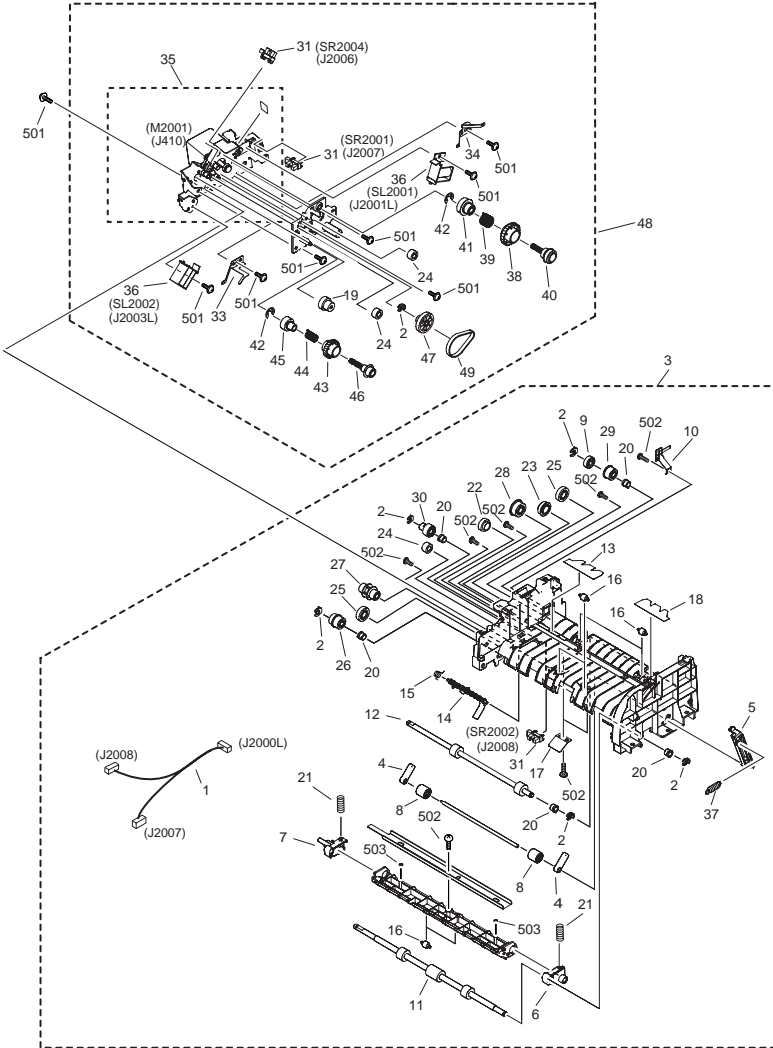




FIGURE & KEY NO.	PARTS NUMBER	R A N K	Q'TY	DESCRIPTION	SERIAL NUMBER/ REMARKS	S V C
Fig.164	NPN		RF	PAPER FEED ASSEMBLY	iR1023N/iR1022A/ iR1022F/iR1022i/ iR1023iF/iR1022iF	
1	FM2-4947-000		1	CABLE, ADF SENSOR		
2	FC5-4424-000		6	CLIP		
3	FM2-8848-000		1	FEED FRAME UNIT		
4	FC7-2792-000		2	CAM		
5	FC7-2793-000		1	LEVER		
6	FC6-7730-000		1	ARM, PLATEN, FRONT		
7	FC6-7731-000		1	ARM, PLATEN, REAR		
8	FC6-7733-000		2	COLLAR		
9	FC6-7738-000		1	JOINT, GEAR		
10	FC6-7760-000		1	PLATE, GROUNDING		
11	FC6-7763-000		1	ROLLER, REGISTRATION		
12	FC6-7764-000		1	ROLLER, PAPER DELIVERY		
13	FC6-7772-000		1	SHEET, REVERSE		
14	FC6-7788-000		1	LEVER, SENSOR		
15	FC6-7790-000		1	SPRING, TORSION		
16	FC6-8973-000		6	ROLLER, PLATEN		
17	FC7-0542-000		2	SPRING, PLATE		
18	FC7-0546-000		1	SHEET, REVERSE		
19	FU7-0114-000		1	GEAR, 22T/31T		
20	FU5-1626-000		5	BUSHING		
21	FU6-2506-000		2	SPRING, COMPRESSION		
22	FU7-0104-000		1	GEAR, 18T		
23	FU7-0105-000		1	GEAR, 23T		
24	FU7-0108-000		3	GEAR, 22T		
25	FU7-0112-000		2	GEAR, 35T		
26	FU7-0113-000		1	GEAR, 26T/28T		
27	FU7-0115-000		1	GEAR, 22T		
28	FU7-0116-000		1	GEAR, 35T		
29	FU7-0117-000		1	GEAR, 28T		
30	FU7-0127-000		1	GEAR, 28T		

FIGURE & KEY NO.	PARTS NUMBER	RANK	Q'TY	DESCRIPTION	SERIAL NUMBER/REMARKS	SVC
31	WG8-5696-000		3	PHOTO INTERRUPTER, TLP1243	SR2001,2002,2004	
33	FC6-7758-000		1	PLATE, GROUNDING		
34	FC6-7759-000		1	PLATE, GROUNDING		
35	FM2-8208-000		1	MOTOR UNIT	M2001	
36	FK2-1393-000		2	SOLENOID	SL2001,2002 J2001L,2003L	
37	FU6-2510-000		1	SPRING, TENSION		
38	FC6-7736-000		1	RATCHET, SEPARATION		
39	FC6-7769-000		1	SPRING, TORSION		
40	FU7-0106-000		1	GEAR, 20T		
41	FU7-0107-000		1	GEAR, 38T		
42	XD9-0136-000		2	RING, E		
43	FC6-7737-000		1	RATCHET, REGISTRATION		
44	FC6-7770-000		1	SPRING, TORSION		
45	FU7-0110-000		1	GEAR, 31T		
46	FU7-0111-000		1	GEAR, 22T		
47	FU7-0128-000		1	GEAR, 18T/51T		
48	FM2-8207-000		1	BELT DRIVE UNIT		
49	XF9-0760-000		1	BELT, TIMING		
501	XB6-7300-605		AR	SCREW, TP, M3X6 (S)		
502	XB4-5301-005		AR	SCREW,P,M3X10		
503	XD1-1106-226		2	SHIM		

FIGURE 250  
MAIN DRIVE ASSEMBLY

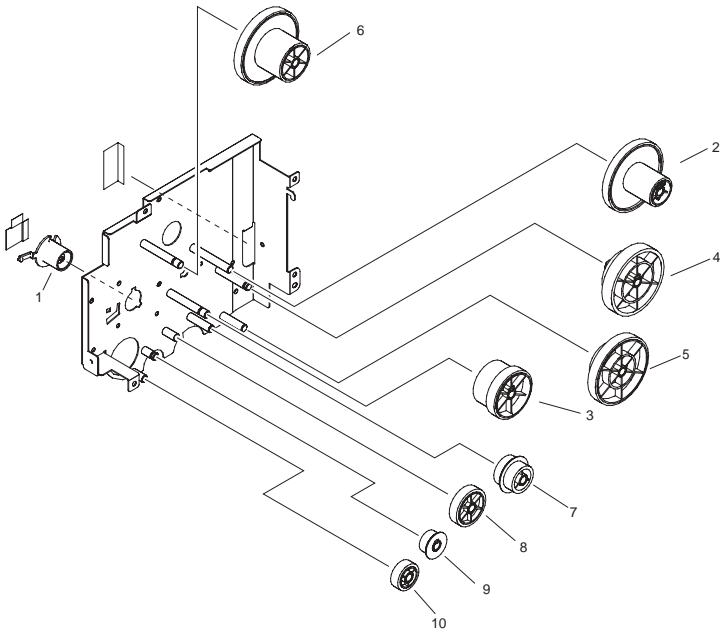


FIGURE & KEY NO.	PARTS NUMBER	RANK	Q'TY	DESCRIPTION	SERIAL NUMBER/REMARKS	SVC
Fig.250	NPN		RF	MAIN DRIVE ASSEMBLY		
1	FC6-7549-000		1	BUSHING, COUPLING, R		
2	FU7-0045-000		1	GEAR, 59T/113T		
3	FU7-0046-000		1	GEAR, 74T/64T		
4	FU7-0047-000		1	GEAR, 103T/67T		
5	FU7-0048-000		1	GEAR, 30T/104T		
6	FU7-0055-000		1	GEAR, 107T/43T		
7	FU7-0050-000		1	GEAR, 28T/41T		
8	FU7-0051-000		1	GEAR, 37T		
9	FU7-0052-000		1	GEAR, 20T		
10	FU7-0053-000		1	GEAR, 26T		

FIGURE 251  
REVERSE DRIVE ASSEMBLY

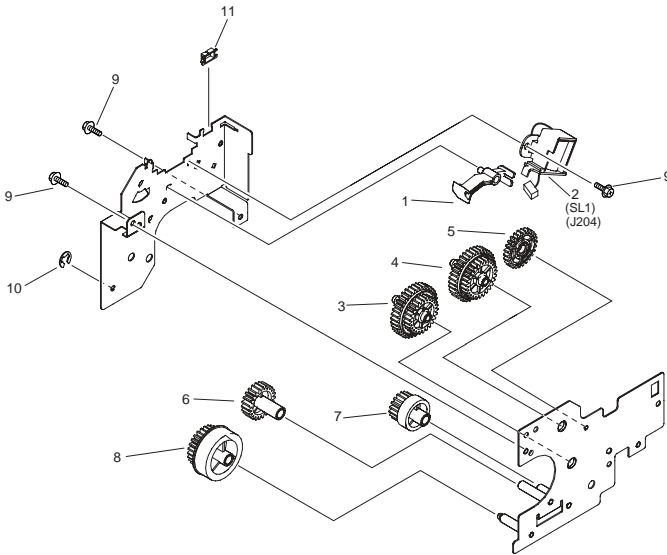


FIGURE & KEY NO.	PARTS NUMBER	R A N K	Q'TY	DESCRIPTION	SERIAL NUMBER/ REMARKS	S V C
Fig.251	NPN		RF	REVERSE DRIVE ASSEMBLY		
1	FC6-7517-000		1	ARM, SOLENOID	SL1	
2	FK2-1408-000		1	SOLENOID		
3	FM2-5283-000		1	GEAR UNIT		
4	FM2-5284-000		1	GEAR UNIT		
5	FU7-0036-000		1	GEAR, 26T		
6	FU7-0039-000		1	GEAR, 23T		
7	FU7-0040-000		1	GEAR, 18T/41T		
8	FU7-0031-000		1	GEAR, 27T/25T		
9	XA9-1567-000		3	SCREW, RS, M3X8.5		
10	XD9-0134-000		1	RING, E		
11	WT2-5056-000		1	CLIP, CABLE		

# FIGURE 300 CASSETTE

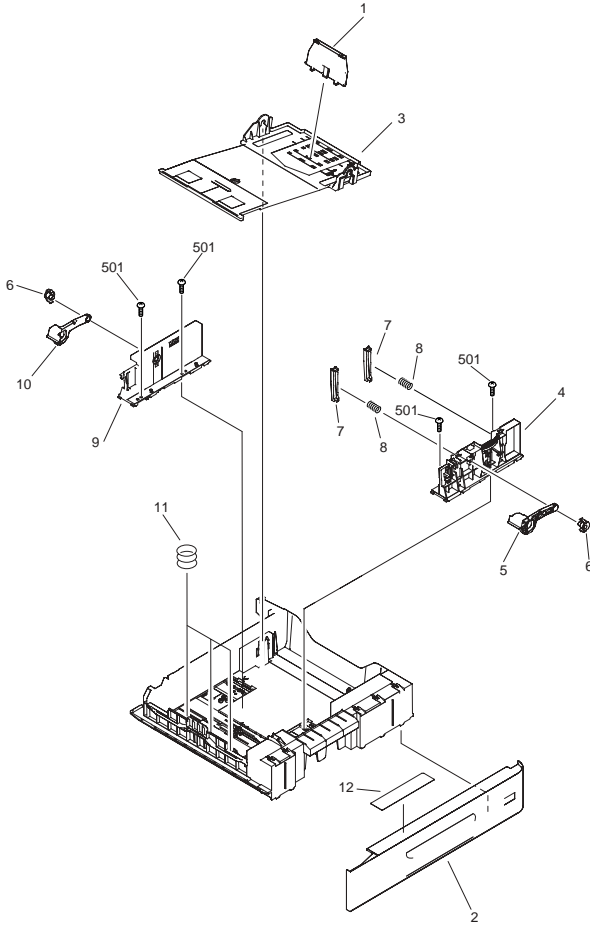


FIGURE & KEY NO.	PARTS NUMBER	R A N K	Q'TY	DESCRIPTION	SERIAL NUMBER/ REMARKS	S V C
Fig.300	NPN		RF	CASSETTE	EXCEPT CN	
1	FC6-7377-000		1	PLATE, SIZE, REAR		
2	FC6-7382-000		1	PANEL, FRONT		
3	FL2-3889-000		1	PLATE, CST, LIFTER		
4	FC6-7372-000		1	PLATE, SIDE LIMIT, FRONT		
5	FC7-2989-000		1	CLAW, SEPARATION, FRONT		
6	FC6-7376-000		2	PIN, SUPPORT, CLAW		
7	FC6-7380-000		2	RETAINER, SHEET		
8	FU6-2410-000		2	SPRING, COMPRESSION		
9	FC6-7374-000		1	PLATE, SIDE LIMIT, REAR		
10	FC7-2990-000		1	CLAW, SEPARATION, REAR		
11	FU6-2408-020		3	SPRING		
12	FC6-7388-000		1	LABEL, CASSETTE OPERATOR	A4	
12	FC6-7385-000		1	LABEL, CASSETTE OPERATOR	LTR	
501	XB4-7400-806		4	SCREW,TAPPING,TRUSS HEAD.M4X8		



FIGURE 301  
CASSETTE (CHINA)

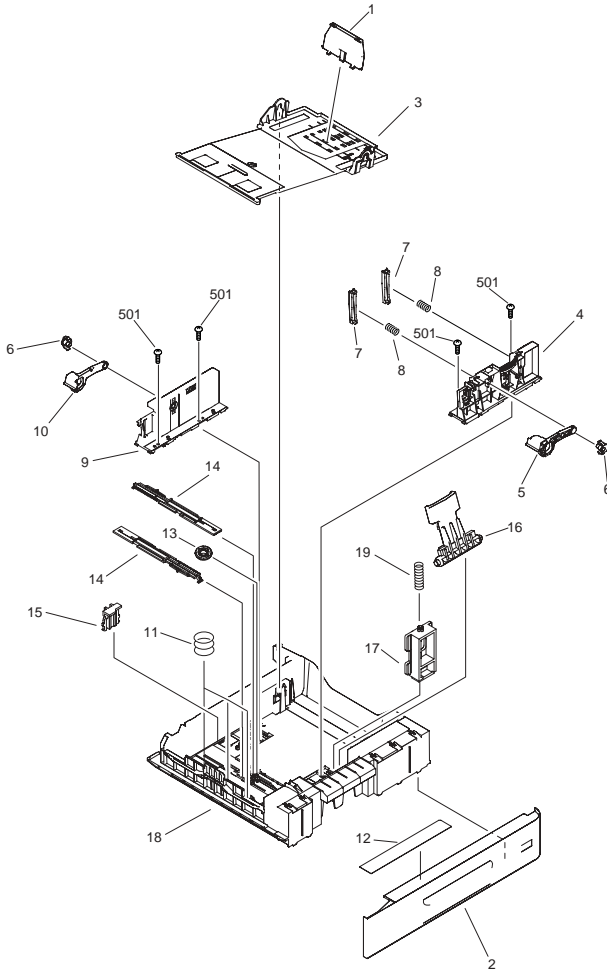


FIGURE & KEY NO.	PARTS NUMBER	R A N K	Q'TY	DESCRIPTION	SERIAL NUMBER/ REMARKS	S V C
Fig.301	NPN		RF	CASSETTE	CN ONLY	
1	FC6-7377-000		1	PLATE, SIZE, REAR		
2	FC6-7382-000		1	PANEL, FRONT		
3	FL2-3891-000		1	PLATE, CST, LIFTER		
4	FC6-7372-000		1	PLATE, SIDE LIMIT, FRONT		
5	FC7-2989-000		1	CLAW, SEPARATION, FRONT		
6	FC6-7376-000		2	PIN, SUPPORT, CLAW		
7	FC6-7380-000		2	RETAINER, SHEET		
8	FU6-2410-000		2	SPRING, COMPRESSION		
9	FC6-7374-000		1	PLATE, SIDE LIMIT, REAR		
10	FC7-2990-000		1	CLAW, SEPARATION, REAR		
11	FU6-2408-020		3	SPRING		
12	FC6-7389-000		1	LABEL, CASSETTE OPERATOR		
13	FC5-4914-000		1	GEAR, PINION		
14	FC6-7379-000		2	GEAR, RACK		
15	FC7-5831-000		1	STOPPER		
16	FC6-7378-000		1	LEVER, PAPER SIDE END LOCK		
17	FC6-7386-000		1	LOCK, PAPER SIDE END		
18	FC6-7370-000		1	BODY, CASSETTE		
19	FU6-2413-000		1	SPRING, COMPRESSION		
501	XB4-7400-806		4	SCREW,TAPPING,TRUSS HEAD.M4X8		

# FIGURE 310 PAPER PICK-UP ASSEMBLY

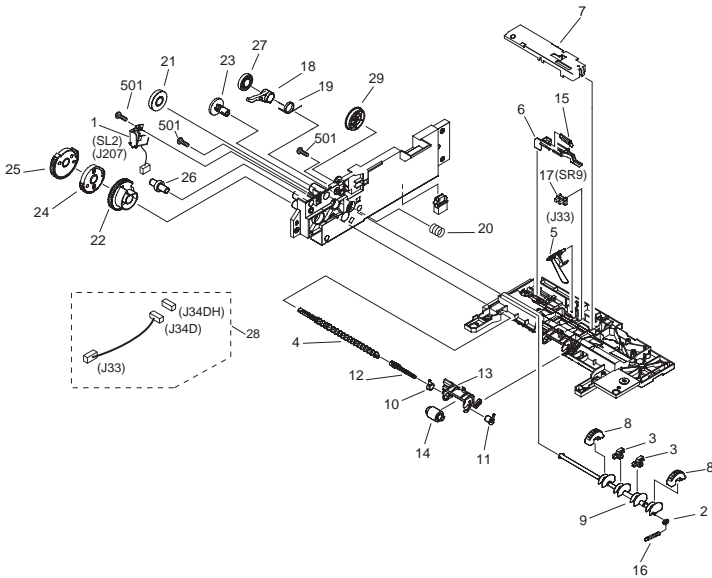


FIGURE & KEY NO.	PARTS NUMBER	R A N K	Q'TY	DESCRIPTION	SERIAL NUMBER/ REMARKS	S V C
Fig.310	NPN		RF	PAPER PICK-UP ASSEMBLY		
1	FK2-1412-000		1	SOLENOID	SL2	
2	FB4-9820-000		1	COLLAR, SPRING		
3	FC6-7353-000		2	BUSHING, PICK-UP ROLLER		
4	FC6-7358-000		1	SHAFT, FEED ROLLER		
5	FC6-7366-000		1	FLAG, SENSOR		
6	FC6-7367-000		1	LEVER, SENSOR		
7	FC6-7368-000		1	COVER, SENSOR		
8	FB4-9817-030		2	ROLLER, PICK-UP		
9	FC6-7352-000		1	SHAFT, PICK-UP ROLLER		
10	FC5-4849-000		1	BUSHING,FACE-DOWN ROLLER		
11	FC6-7354-000		1	BUSHING, FEED ROLLER		
12	FC6-7357-000		1	SHAFT, FEED ROLLER		
13	FC6-7361-000		1	HOLDER, FEED ROLLER		
14	FL2-3887-000		1	ROLLER, FEED		
15	FU6-2406-000		1	SPRING, TENSION		
16	FU6-2407-000		1	SPRING, TENSION		
17	WG8-5776-000		1	IC,PHOTO-INTERRUPTER,SG-2481	SR9	
18	FC6-7365-000		1	LEVER, TRIGGER		
19	FC6-7396-000		1	SPRING, TORSION		
20	FU6-2411-000		1	SPRING, COMPRESSION		
21	FU7-0009-000		1	GEAR, 34T		
22	FU7-0010-000		1	GEAR, 54T		
23	FU7-0011-000		1	GEAR, 29T		
24	FU7-0012-000		1	GEAR, 29T		
25	FU7-0013-000		1	GEAR, 41T		
26	FU7-0014-000		1	GEAR, 17T		
27	FU7-0015-000		1	GEAR, 28T		
28	FM2-4931-000		1	SENSOR CABLE UNIT		
29	FU7-0054-000		1	GEAR, 45T		
501	XB4-7401-009		AR	SCREW,TAPPING,PAN HEAD,M4X10		

FIGURE 315  
MULTI PAPER PICK-UP TRAY ASS'Y

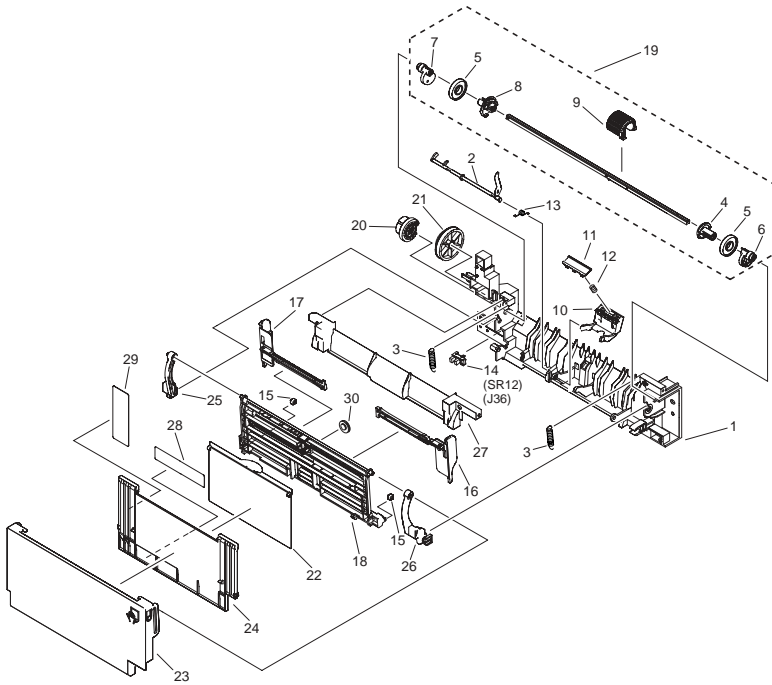


FIGURE & KEY NO.	PARTS NUMBER	R A N K	Q'TY	DESCRIPTION	SERIAL NUMBER/ REMARKS	S V C
Fig.315	NPN		RF	MULTI PAPER PICK-UP TRAY ASS'Y		
1	FC6-7411-020		1	FRAME, FEED PICK-UP		
2	FC6-7415-000		1	ARM, SENSOR		
3	FU6-2423-000		2	SPRING, TORSION		
4	FC6-7427-000		1	BUSHING		
5	FC6-7429-000		2	COLLAR		
6	FC6-7430-000		1	CAM, MP, RIGHT		
7	FC6-7431-000		1	CAM, MP, LEFT		
8	FC6-7432-000		1	CAM, ROLLER		
9	FL2-3897-000		1	ROLLER, MP PICK-UP		
10	FC6-7410-000		1	ARM, HOLDER		
11	FL2-3898-020		1	HOLDER, SEPARATION PAD		
12	FU6-2424-000		1	SPRING, COMPRESSION		
13	FU6-2425-000		1	SPRING, TORSION		
14	WG8-5776-000		1	IC.PHOTO-INTERRUPTER,SG-2481	SR12	
15	FC6-7418-000		2	COLLAR		
16	FC7-2960-000		1	SLIDER, WIDTH, R I G H T		
17	FC7-2954-000		1	SLIDER, WIDTH, LEFT		
18	FL2-5390-000		1	TRAY, MULTI-PURPOSE		
19	FM2-5274-000		1	MP PICK-UP ROLLER UNIT		
20	FU7-0025-000		1	GEAR, 30T		
21	FU7-0026-000		1	GEAR, 31T/58T		
22	FC7-2957-000		1	TRAY, EXTENSION, 2		
23	FC7-2958-000		1	COVER		
24	FC7-2956-000		1	TRAY, EXTENSION, 1		
25	FC7-2964-000		1	HINGE, M.P. PICK UP, LEFT		
26	FC7-2961-000		1	HINGE, M.P. PICK UP, RIGHT		
27	FC7-2955-000		1	COVER, MULTI PAPER PICK-UP		
28	FU6-8080-000		1	LABEL, MULTI TRAY SIZE	A/INCH SIZE	
29	FU6-8081-000		1	LABEL, MULTI TRAY PAPER SET	A SIZE	
29	FU6-8082-000		1	LABEL, MULTI TRAY PAPER SET	A/INCH SIZE	
29	FU6-8083-000		1	LABEL, MULTI TRAY PAPER SET	A/B/INCH SIZE	

FIGURE & KEY NO.	PARTS NUMBER	R A N K	Q'TY	DESCRIPTION	SERIAL NUMBER/ REMARKS	S V C
30	FC5-4914-000		1	GEAR		

# FIGURE 320 REGISTRATION ASSEMBLY

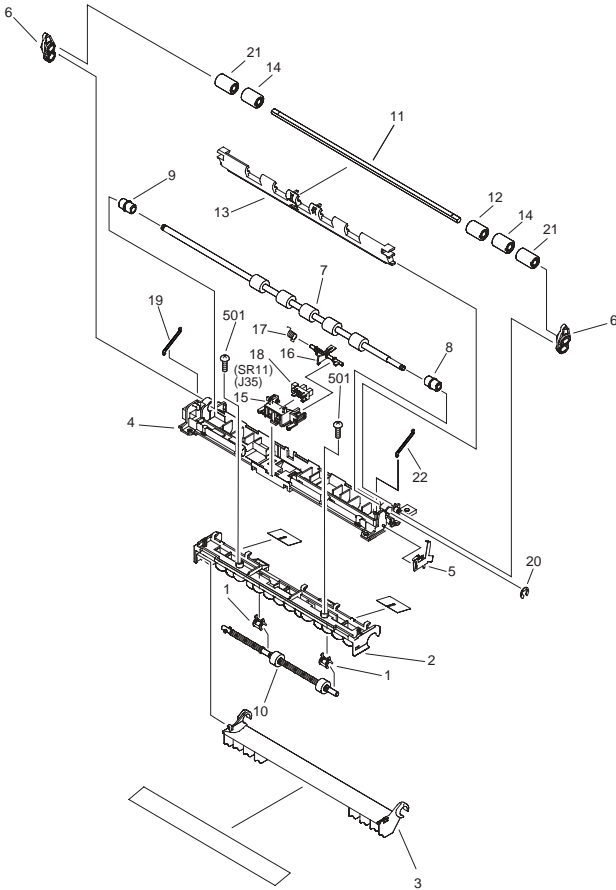




FIGURE & KEY NO.	PARTS NUMBER	R A N K	Q'TY	DESCRIPTION	SERIAL NUMBER/ REMARKS	S V C
Fig.320	NPN		RF	REGISTRATION ASSEMBLY		
1	FC6-7401-000		2	BUSHING, FEED ROLLER		
2	FC6-7406-000		1	GUIDE, DUPLEXING INSIDE		
3	FC6-7414-000		1	COVER, MP PICK-UP, A		
4	FL2-3892-000		1	FRAME, REGISTRATION		
5	FC7-5824-000		1	PLATE, GROUNDING		
6	FC7-5819-000		2	ARM, REG.ROL, PRESSURE		
7	FC7-5820-000		1	ROLLER, REGISTRATION		
8	FC7-5825-000		1	ROLLER, REGISTRATION		
9	FC7-5826-000		1	BUSHING, REGISTRATION ROLLER		
10	FL2-3901-000		1	ROLLER, FEED		
11	FC7-5822-000		1	SHAFT, REGISTRATION ROLLER		
12	FC7-5823-000		1	COLLAR, FEEDER		
13	FC7-7152-020		1	GUIDE, PRE-REGISTRATION		
14	FC7-5827-000		2	COLLAR, FEEDER		
15	FC6-7442-040		1	HOLDER, SENSOR		
16	FC6-7443-000		1	FLAG, SENSOR		
17	FC6-7444-000		1	SPRING, TORSION		
18	WG8-5776-000		1	PHOTO INTERRUPTER SG-2481	SR11	
19	FU6-2414-000		1	SPRING, TENSION		
20	FB4-2007-000		1	RING, RETAINING		
21	FC7-5828-000		2	COLLAR, FEEDER		
22	FU6-2416-000		1	SPRING, TENSION, RED		
501	XB4-7401-009		2	SCREW,TAPPING,PAN HEAD,M4X10		

# FIGURE 400 READER ASSEMBLY

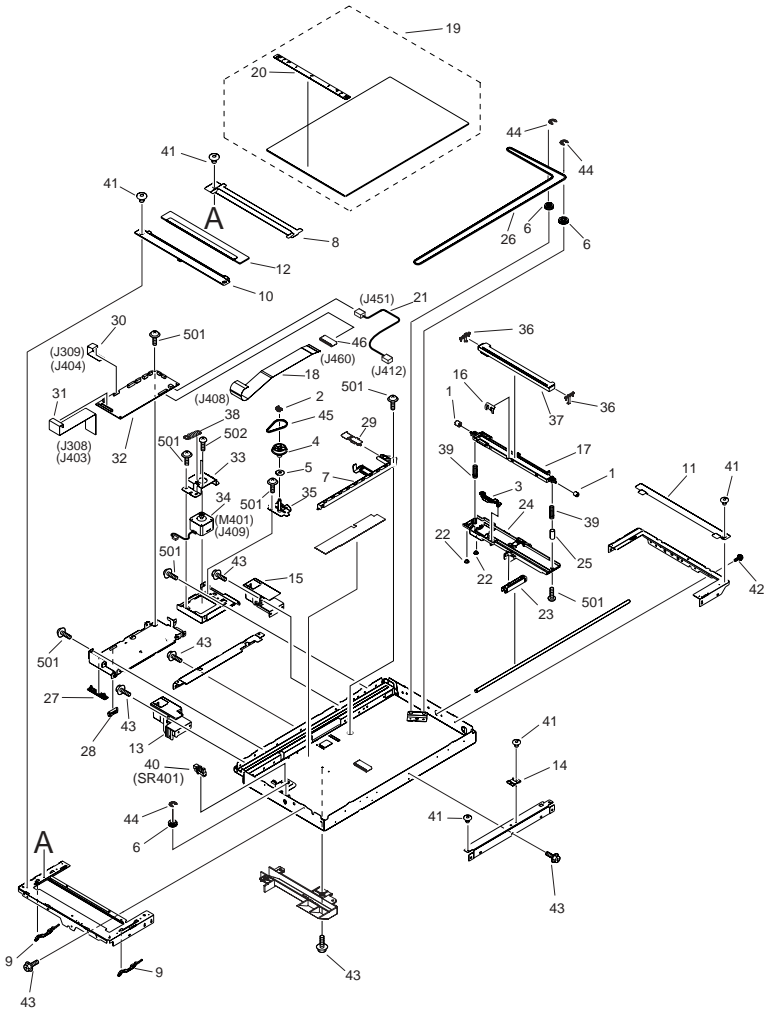


FIGURE & KEY NO.	PARTS NUMBER	R A N K	Q'TY	DESCRIPTION	SERIAL NUMBER/ REMARKS	S V C
Fig.400	NPN		RF	READER ASSEMBLY		
1	FB6-1337-000		2	COLLAR		
2	FC5-4424-000		1	CLIP		
3	FC6-7595-000		1	HOLDER		
4	FC6-7598-000		1	PULLEY, 49T/17T		
5	FC6-7600-000		1	FLANGE, MOTOR PULLEY		
6	FC6-7604-000		3	PULLEY, DRIVEN		
7	FC6-7606-000		1	GUIDE, CABLE		
8	FC7-2974-000		1	MOUNT,JUMP		
9	FC6-7618-000		2	GUIDE, CIS		
10	FC7-2982-000		1	SUPPORT, GLASS, LEFT	iR1019J/iR1018J/iR1022J/ iR1018/iR1023/iR1022	
10	FC7-2975-000		1	SUPPORT, GLASS, LEFT	iR1023N/iR1022A/ iR1022F/iR1022i/ iR1023iF/iR1022iF	
11	FC7-2976-000		1	SUPPORT, GLASS, RIGHT		
12	FL2-3941-000		1	READER GLASS UNIT	iR1023N/iR1022A/ iR1022F/iR1022i/ iR1023iF/iR1022iF	
13	FC7-2977-000		1	COVER, HINGE, LEFT		
14	FC6-7630-000		1	STOPPER, GLASS, LEFT		
15	FC7-2978-000		1	COVER, HINGE, RIGHT		
16	FC6-7642-000		1	STOPPER, CIS		
17	FC7-0534-000		1	HOLDER, CIS		
18	FK2-1399-000		1	CABLE, FLAT, CIS-READER		
19	FL2-5380-000		1	COPYBOARD GLASS UNIT	A/B/INCH SIZE	
19	FL2-5378-000		1	COPYBOARD GLASS UNIT	A/INCH SIZE	
19	FL2-5379-000		1	COPYBOARD GLASS UNIT	A SIZE	
19	FL2-5383-000		1	COPYBOARD GLASS UNIT	A/INCH SIZE	
19	FL2-5384-000		1	COPYBOARD GLASS UNIT	A SIZE	
19	FL2-5385-000		1	COPYBOARD GLASS UNIT	A/B/INCH SIZE	
20	FL2-5375-000		1	PLATE, SIXE INDEX	A/INCH SIZEiR1022i/ iR1023iF/iR1022iF/ iR1019J	
20	FL2-5376-000		1	PLATE, SIXE INDEX	A SIZEEXCEPT iR1022i/ iR1023iF/iR1022iF	

FIGURE & KEY NO.	PARTS NUMBER	R A N K	Q'TY	DESCRIPTION	SERIAL NUMBER/ REMARKS	S V C
20	FL2-5377-000		1	PLATE, SIXE INDEX	A/B/INCH SIZEiR1018/ iR1018J/iR1022/iR1022F/ iR1022J	
21	FM2-4939-000		1	CABLE, SENSOR		
22	FC6-4511-000		2	SLIDER		
23	FC6-7592-000		1	HOLDER, RAIL		
24	FC6-7643-000		1	SUPPORT, CIS		
25	FU5-4953-000		1	SHAFT, GUIDE ,CIS		
26	XF2-4665-530		1	BELT, TIMING		
27	FC6-7576-000		1	BUSHING, FFC		
28	FC6-7612-000		1	COVER, FFC		
29	FC6-7585-000		1	COVER, CABLE		
30	FK2-1825-000		1	CABLE, FLAT, READER-IP1		
31	FK2-1398-000		1	CABLE, FLAT, READER-IP2		
32	FM2-8363-000		1	READER CONTROLLER PCB ASSEMBLY		
33	FC6-7601-000		1	STAY, MOTOR		
34	FK2-1383-000		1	MOTOR, READER	M401	
35	FL2-3929-000		1	PLATE, PULLEY TENSION		
36	FC6-7591-000		2	SPACER, CIS		
37	FK2-1377-000		1	CONTACT IMAGE SENSOR UNIT		
38	FU6-2463-000		2	SPRING, TENSION		
39	FU6-2462-000		2	SPRING, COMPRESSION		
40	WG8-5776-000		1	IC,PHOTO-INTERRUPTER,SG-2481	SR401	
41	XA9-0679-000		10	SCREW, MACH., FLAT HEAD, M3X4		
42	XA9-0679-000		10	SCREW, MACH., FLAT HEAD, M3X4		
43	XA9-1567-000		AR	SCREW, RS, M3X8.5		
44	XD9-0136-000		3	RING, E		
45	XF2-4607-230		1	BELT, TIMING		
46	WE8-6218-000		1	CORE, FERRITE		
501	XB6-7300-607		8	SCREW, TP, M3X6 (S)		
502	XB1-2300-409		2	SCREW, MACHINE M3X4		

# FIGURE 460 LASER SCANNER UNIT

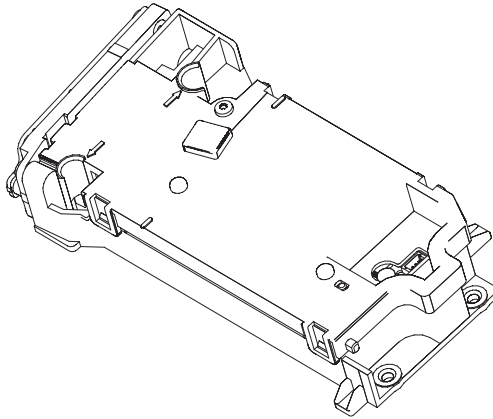


FIGURE & KEY NO.	PARTS NUMBER	RANK	QTY	DESCRIPTION	SERIAL NUMBER/REMARKS	SVC
Fig.460	FM2-5271-000		1	LASER SCANNER UNIT		

# FIGURE 640 DEVELOPING UNIT

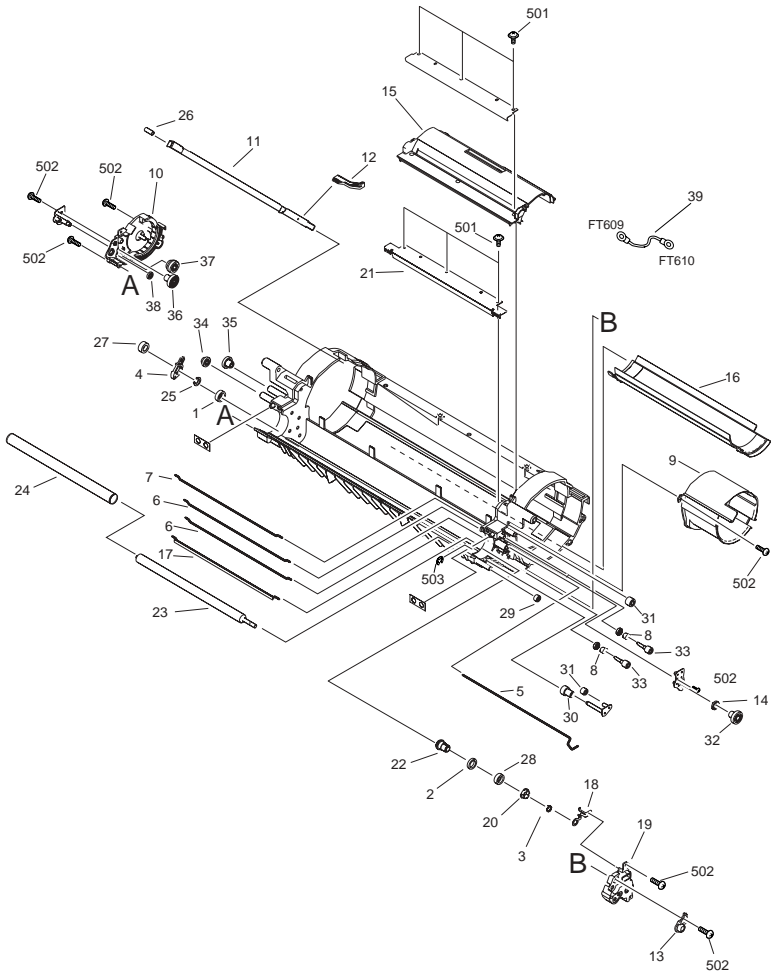


FIGURE & KEY NO.	PARTS NUMBER	R A N K	Q'TY	DESCRIPTION	SERIAL NUMBER/ REMARKS	S V C
Fig.640	FM2-8214-000		1	DEVELOPING UNIT		
1	FC7-2858-000		1	ROLLER, SD		
2	FC7-2859-000		1	ROLLER, SD		
3	FU6-2833-000		1	SPRING, COMPRESSION		
4	FC7-2864-000		1	HOLDER, DEVELOPING BUSHING		
5	FC7-2865-000		1	ROD, DETECTION		
6	FC7-2867-000		2	ROD, STIRRING		
7	FC7-2868-000		1	ROD, SECOND STIRRING		
8	FC7-2872-000		4	BUSHING		
9	FC7-2881-000		1	HOLDER, DEVELOPING		
10	FC7-2882-000		1	HOLDER, DEVELOPING		
11	FC7-2884-000		1	LOCK, DEVELOPING SHUTTER		
12	FC7-2891-000		1	LOCK, DEVELOPING SHUTTER, 2		
13	FC7-2895-000		1	STOPPER, MAGNET		
14	FC7-2896-000		1	BUSHING		
15	FL2-5369-000		1	LID, DEVELOPER TONER		
16	FC7-2886-000		1	SHUTTER, DEVELOPING		
17	FL2-5371-000		1	ROD, DEVELOPING STIRRING		
18	FC7-2870-000		1	PLATE, DEVELOPING ELECTRODE		
19	FC7-2883-000		1	HOLDER, DEVELOPING		
20	MS4-2703-000		1	RING, DEVELOPING BUSHING		
21	FL2-5373-000		1	BLADE, DEVELOPING		
22	FC7-2893-000		1	FLANGE, SLEEVE, FRONT		
23	FC7-2894-000		1	ROLLER, MAGNET		
24	FL2-5374-000		1	SLEEVE, COAT		
25	FS6-1090-000		1	BUSHING		
26	FU6-2828-000		1	SPRING, COMPRESSION		
27	FU7-0476-000		1	GEAR, 24T		
28	FU7-0477-000		1	GEAR, 32T		
29	FU7-0478-000		1	GEAR, 17T		
30	FU7-0479-000		1	GEAR, 25T/17T		
31	FU7-0480-000		2	GEAR, 17T		

FIGURE & KEY NO.	PARTS NUMBER	R A N K	Q'TY	DESCRIPTION	SERIAL NUMBER/ REMARKS	S V C
32	FU7-0481-000		1	GEAR, 38T/17T		
33	FU7-0483-000		4	GEAR, 18T		
34	FU7-0484-000		1	GEAR, 21T/17T		
35	FU7-0485-000		1	GEAR, 34T/18T		
36	FU7-0496-000		1	GEAR, 38T/17T		
37	FU7-0498-000		1	GEAR, 25T/17T		
38	FU7-0497-000		1	GEAR, 18T		
39	FM2-9362-000		1	CABLE, DEVELOPING		
501	XB6-7300-405		AR	SCREW, TP, M3X4		
502	XB4-7300-807		AR	SCREW, TAP TIGHT, BINDING HEAD		
503	XD2-1100-322		1	RETAINING RING(E-TYPE)		



FIGURE 810  
FIXING ASSEMBLY

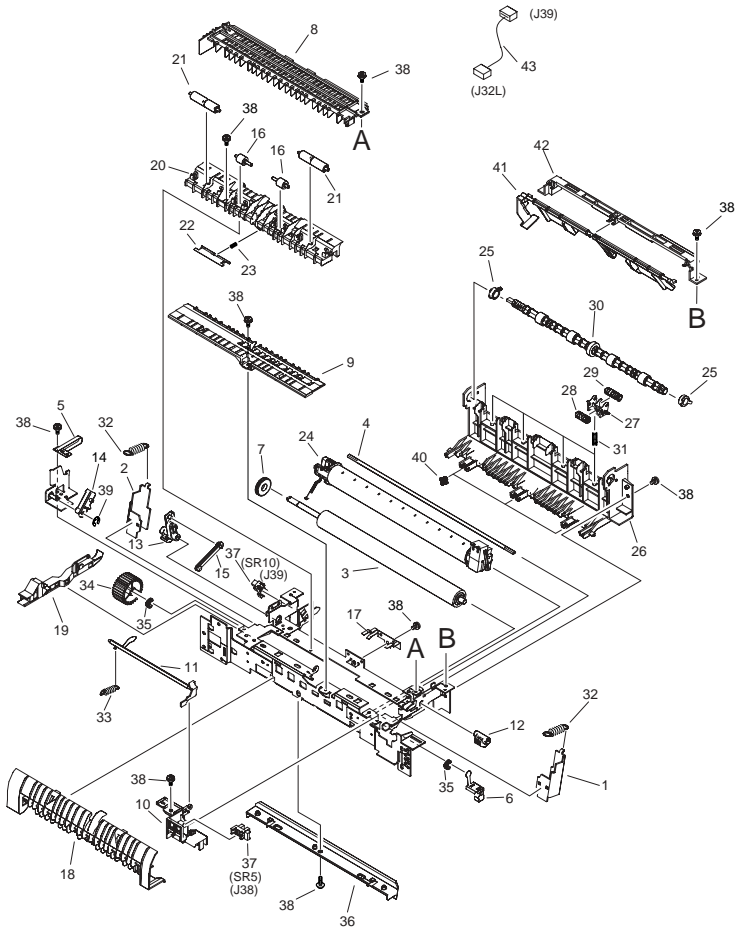


FIGURE & KEY NO.	PARTS NUMBER	R A N K	Q'TY	DESCRIPTION	SERIAL NUMBER/ REMARKS	S V C
Fig.810	FM2-9045-000		1	FIXING ASSEMBLY	120V	
Fig.810	FM2-9046-000		1	FIXING ASSEMBLY	230V	
1	FC6-7480-000		1	PLATE, PRESSURE, FRONT		
2	FC6-7481-000		1	PLATE, PRESSURE, REAR		
3	FC6-7482-000		1	ROLLER, PRESSURE		
4	FC6-7483-000		1	SHAFT, ARM		
5	FC6-7484-000		1	SPRING, PLATE		
6	FC6-7485-000		1	SPRING, PLATE		
7	FC6-7486-000		1	RUBBER, PRESSURE ROLLER		
8	FC6-7488-000		1	GUIDE, REVERSE, UPPER		
9	FC6-7489-000		1	GUIDE, DUPLEXING ENTRANCE		
10	FC6-7490-020		1	MOUNT, DELIVERY SENSOR		
11	FC6-7491-000		1	FLAG, SENSOR		
12	FC6-7492-000		1	ARM, PRESSURE RELEASE, FRONT		
13	FC6-7493-000		1	ARM, PRESSURE RELEASE, REAR		
14	FC6-7494-000		1	ARM, LINK		
15	FC6-7495-000		1	ARM, LINK		
16	FC6-7496-000		2	COLLAR		
17	FC6-7506-000		1	SPRING, PLATE		
18	FC6-7507-000		1	GUIDE, DUPLEXING INNER		
19	FC6-7518-000		1	GUIDE, CABLE		
20	FC6-7487-000		1	GUIDE, REVERSE, LOWER		
21	FC6-7497-000		2	COLLAR		
22	FC6-7505-000		1	FLAG, STOPPER		
23	FU6-2474-000		1	SPRING, COMPRESSION		
24	FM2-5280-000		1	FILM UNIT	120V	
24	FM2-5296-000		1	FILM UNIT	230V	
25	FC5-4849-000		2	BUSHING, DELIVERY ROLLER		
26	FC6-7501-000		1	FRAME, DELIVERY		
27	FC6-7502-000		4	HOLDER, ROLLER		
28	FC6-7503-000		4	ROLLER, PAPER DELIVERY, INSIDE		
29	FC7-2805-000		4	ROLLER, PAPER DELIVERY, OUTER		

FIGURE & KEY NO.	PARTS NUMBER	R A N K	Q'TY	DESCRIPTION	SERIAL NUMBER/ REMARKS	S V C
30	FL2-3908-000		1	ROLLER, DELIVERY		
31	FU6-2473-000		4	SPRING, COMPRESSION		
32	FU6-2471-000		2	SPRING, TENSION		
33	FU6-2472-000		1	SPRING, TENSION		
34	FU7-0034-000		1	GEAR, 32T		
35	RB2-2973-000		2	BUSHING		
36	FC6-7478-000		1	GUIDE, ENTRANCE		
37	WG8-5776-000		2	IC,PHOTO-INTERRUPTER,SG-2481		
38	XA9-0702-000		11	SCREW, W/WASHER, M3X6		
39	XD9-0134-000		1	RING,E		
40	FC6-7528-000		3	ROWEL		
41	FC6-7529-000		1	LEVER, FULL DETECT		
42	FC6-7530-000		1	FRAME, LEVER, SUPPORT		
43	FM2-4943-000		1	CABLE, SENSOR		

# FIGURE 930 PCB ASSEMBLY

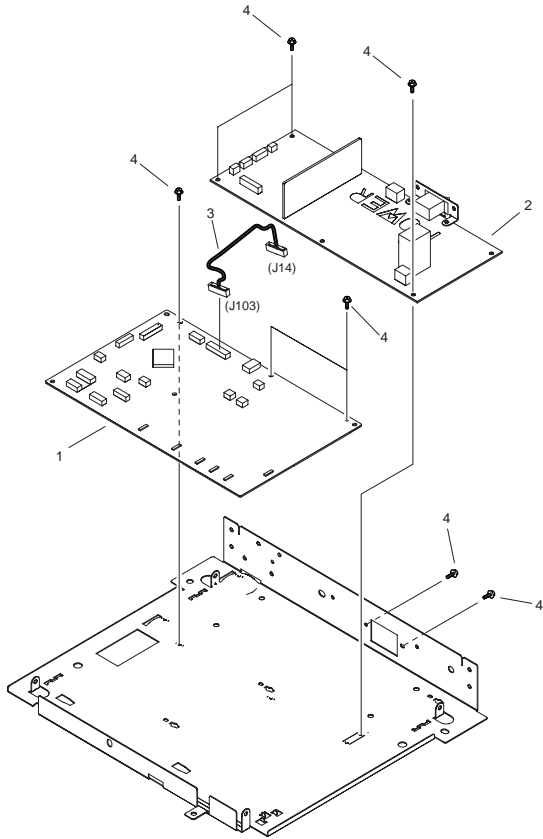


FIGURE & KEY NO.	PARTS NUMBER	RANK	Q'TY	DESCRIPTION	SERIAL NUMBER/REMARKS	SVC
Fig.930	NPN		RF	PCB ASSEMBLY		
1	FM2-8364-000		1	DC CONTROLLER PCB ASSEMBLY	iR1019J 120V	
1	FM2-8366-000		1	DC CONTROLLER PCB ASSEMBLY	iR1023 120V/iR1022 120V/iR1023iF 120V/iR1023N 120V/iR1022F 120V	
1	FM2-8365-000		1	DC CONTROLLER PCB ASSEMBLY	iR1018J/iR1018	
1	FM2-8367-000		1	DC CONTROLLER PCB ASSEMBLY	iR1022J/iR1022 230V/iR1022iF 230V/iR1022F 230V/iR1022A/iR1022i	
2	FK2-3208-000		1	POWER SUPPLY PCB ASSEMBLY	120V	
2	FK2-1373-000		1	POWER SUPPLY PCB ASSEMBLY	230V	
3	FM2-4921-000		1	CABLE, DCCON-PSU		
4	XA9-1567-000		AR	SCREW, RS, M3X8.5		

# FIGURE 950 IMAGE PROCESSOR PCB ASSEMBLY

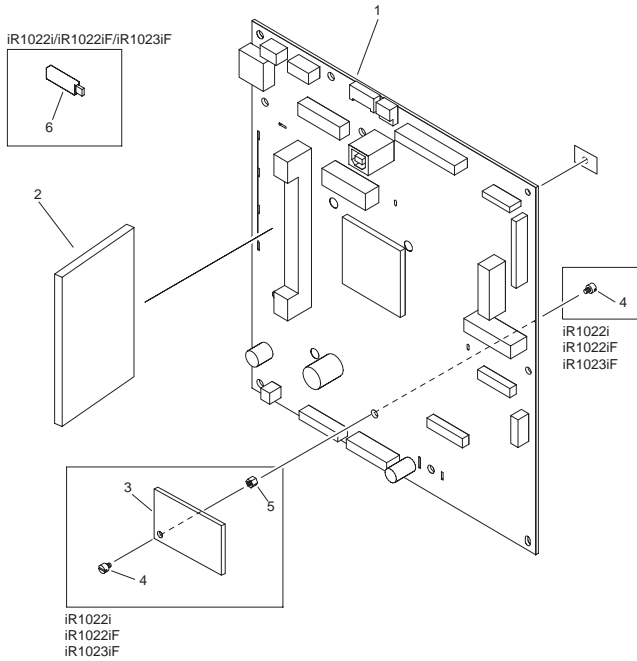


FIGURE & KEY NO.	PARTS NUMBER	R A N K	Q'TY	DESCRIPTION	SERIAL NUMBER/REMARKS	S V C
Fig.950	NPN		RF	IMAGE PROCESSOR PCB ASSEMBLY		
1	FM2-5044-000		1	IMAGE PROCESSOR PCB ASSEMBLY	iR1018J/iR1022J	
1	FM2-5045-000		1	IMAGE PROCESSOR PCB ASSEMBLY	iR1018/iR1022/iR1022A/ iR1022F/iR1022I	
1	FM2-6081-000		1	IMAGE PROCESSOR PCB ASSEMBLY	iR1023/iR1023N/iR1023IF	
1	FM2-6080-000		1	IMAGE PROCESSOR PCB ASSEMBLY	iR1019J	
2	FM2-5046-000		1	DDR MODULE PCB ASSEMBLY	iR1019J/iR1018J/iR1022J	
2	FM2-4897-000		1	DDR MODULE PCB ASSEMBLY	iR1018/iR1023/iR1022/ iR1023N/iR1022A/ iR1022F	
2	FM2-4898-000		1	DDR MODULE PCB ASSEMBLY	iR1022/iR1023IF/ iR1022IF	
3	FM2-5056-000		1	ROM PCB ASSEMBLY	iR1022i/iR1022iF	
3	FM2-6082-000		1	ROM PCB ASSEMBLY	iR1023iF	
4	FU5-9340-000		4	SCREW, STEPPED, M3X4	iR1022i/iR1022iF/ iR1023iF	
5	VT2-5177-005		2	SPACER, METAL	iR1022i/iR1022iF/ iR1023iF	
6	FK2-5122-000		1	MEMORY,USB FLASH,128M	iR1022i/iR1022iF/ iR1023iF	
IC1	HK1-0511-000		1	IC,ASIC UPD800009S1-011-F6-A		
IC140	FK2-0949-000		1	IC, UPD65942GC-Y24, GATE ARRAY		
BAT1	WK1-5134-000		1	BATTERY, LITHIUM, CR2032THJ6		





Prepared by  
OIP HFE Promotion Center  
CANON INC.

**Canon**